

0851 SERIES BRASS SEDIMENT FAUCETS

SPECIFICATION:

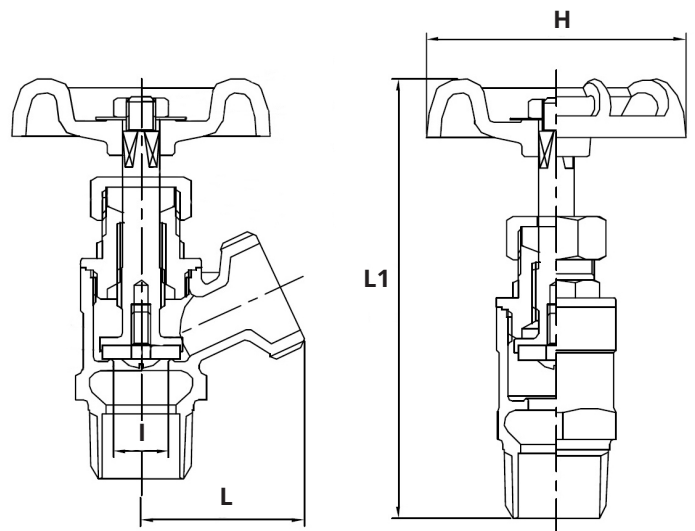
- Threads conform to ANSI/ASME B1.20.1
- Hose thread outlet 3/4" GHT
- Max Pressure Rating: 125 PSI
- Max Temperature Rating: 212°F (100°C)
- Black cast hand wheel

CERTIFICATION:

- CSA B125.1 Certified



MATERIAL LIST	
Part Name	Material
Wheel Nut	Steel
Name Plate	Aluminum
Hand Wheel	Cast Iron
Stem	Brass
Packing Nut	Brass
Gland Packing	Rubber (NBR)
Bonnet	Brass
Body	Brass
Seat Packing	Rubber (NBR)
Seat Packing Screw	Brass



DIMENSIONS										
Part No.	Description	I		H		L		L1		Weight grams
		inches	mm	inches	mm	inches	mm	inches	mm	
0851-05	1/2" MPT	0.45	11.40	2.13	54.00	3.59	91.00	1.34	34.00	196
0851-07	3/4" MPT	0.45	11.40	2.13	54.00	3.70	94.00	1.34	34.00	207



25 Whaley Avenue, PO Box 310, Milverton, ON CANADA N0K 1M0
Tel: 800-561-3164

boshart.com ♦ blog.boshart.com