

# MICRO G4

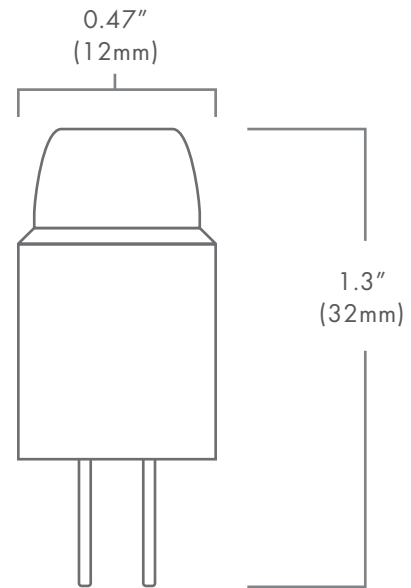
## DESCRIPTION

The Brilliance LED Micro G4 Bipin is a sub-compact LED that utilizes a Samsung chipset and features Brilliance LED's multi-directional beam pattern. This Micro G4 Bipin is energy efficient and water resistant, designed specifically for landscape retrofit and application, and ideal for pathway lighting fixtures.

## FEATURES

- Ceramic technology
- Dimmable with Brilliance dimmer and most magnetic transformers

Wattage	<b>1.2</b>
Lumens	<b>100</b>
Kelvin Temperature	<b>2700, 3000, 5700</b>
Color	<b>Red, Green, Blue, Amber</b>
Operating Range	<b>10-14 VAC</b>
Input Voltage	<b>12 VAC/DC</b>
Replaces	<b>10W Halogen</b>
CRI	<b>85</b>
IP	<b>65</b>
Chipset	<b>Samsung</b>
Lamp Life (hours)	<b>35,000</b>
Warranty (years)	<b>3</b>



Part Number: **BRI-MICRO-G4-XXXX**

|  
Kelvin/Color

