

Aster Sand Filters

Reliable filtration for your pool



Aster Series 24", 30" & 36" Sand Filters



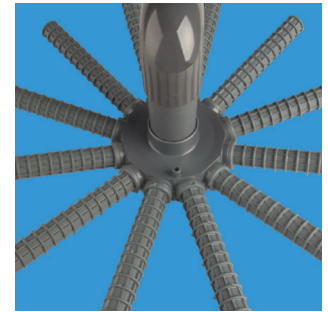
- PATENTED LID SYSTEM Tool Free for easy access.
- SMOOTH GEL COAT EXTERIOR SURFACE Long life marine grade finish.
- 50 PSI WORKING PRESSURE Meets NSF regulations.
- 2" & 2-1/2" PORT CONNECTIONS Allows for full flow .
- MALE SLIP ADAPTORS INCLUDED Allows for multiple filter installations.
- HIGH PERFORMANCE: 70 - 137 GPM flow rates.
- 100 % NON CORROSIVE CONSTRUCTION High strength and long life.
- NSF LISTED Certified for commercial applications.



All Aster Series filter can be equipped with a manifold system or a multiport valve. AstralPool Multiport valves utilize a tool-less lid system that allows for easy access to internal components.



The Aster Series filter is the only filter in the market that comes standard with a unique patented tool-less lid systems. The AstralPool Tool-less lid system is made from commercial grade quality materials that compresses the o-ring against the lid collar for a water tight seal.



The Aster Series filter utilizes 1" laterals made from injected molded polypropylene. Each lateral is slotted 360 degrees to provide superior filtration and a quick complete backwash cycle.

The Astral laminated 24", 30" and 36" Aster filters offer 100% non-corrosive all fiberglass construction with a smooth exterior gel coat. This design eliminates fiberglass "splintering" found on other filter brands, providing a fresh new look for many years. A unique, patented pressure lid system is provided which eliminates the traditional nut and bolt style lid and provides a tool free, lid-locking arrangement. Astral designed internals are constructed of SCH 40 PVC and polypropylene for long life and full flow. The filters are rated at a 50 PSI working pressure and a 75 PSI test pressure. Product line includes: 2" ports on 24", 30" and 36" filters as well as 2-1/2" slip x slip male adaptors on 36" filters for manifolding systems together. 24", 30" and 36" Aster Filters are NSF listed and carry a 5-year limited warranty.



Aster Series 24", 30" & 36" Sand Filters



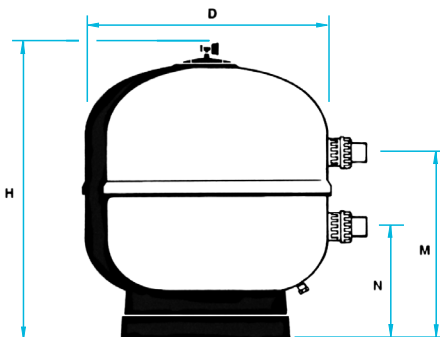
Aster Series

- 24" w/2" connections (3.23 ft²)
- 30" w/2" connections (4.75 ft²)
- 36" w/2" connections (6.84 ft²)
- 36" w/2.5" connections (6.84 ft²)

* Five (5) year limited warranty on vessel

Reference	Standard Carton	Carton Weight (LBS)
28342	1	66
27802	1	69
27857	1	143
27803	1	143

The Astral laminated 24", 30" and 36" Aster filters offer 100% non-corrosive all fiberglass construction with a smooth exterior gel coat. This design eliminates fiberglass "splintering" found on other filter brands, providing a fresh new look for many years. A unique, patented pressure lid system is provided which eliminates the traditional nut and bolt style lid and provides a tool free, lid-locking arrangement. Astral designed internals are constructed of SCH 40 PVC and polypropylene for long life and full flow. The filters are rated at a 50 PSI working pressure and a 75 PSI test pressure. Product line includes: 2" ports on 24", 30" and 36" filters as well as 2-1/2" slip x slip male adaptors on 36" filters for manifolding systems together. 24", 30" and 36" Aster Filters are NSF listed and carry a 5-year limited warranty.



Model	D	Connections	H	M	N	Sand Required
28342	24"	2	34	16	12	24" 300 lbs
27802	30"	2	37	22	13	30" 710 lbs
27857	36"	2"	41	26	15	36" 950 lbs
27803	36"	2 1/2	41	26	15	36" 950 lbs

FOR TECHNICAL INFORMATION, PLEASE VISIT: www.fluidra.us