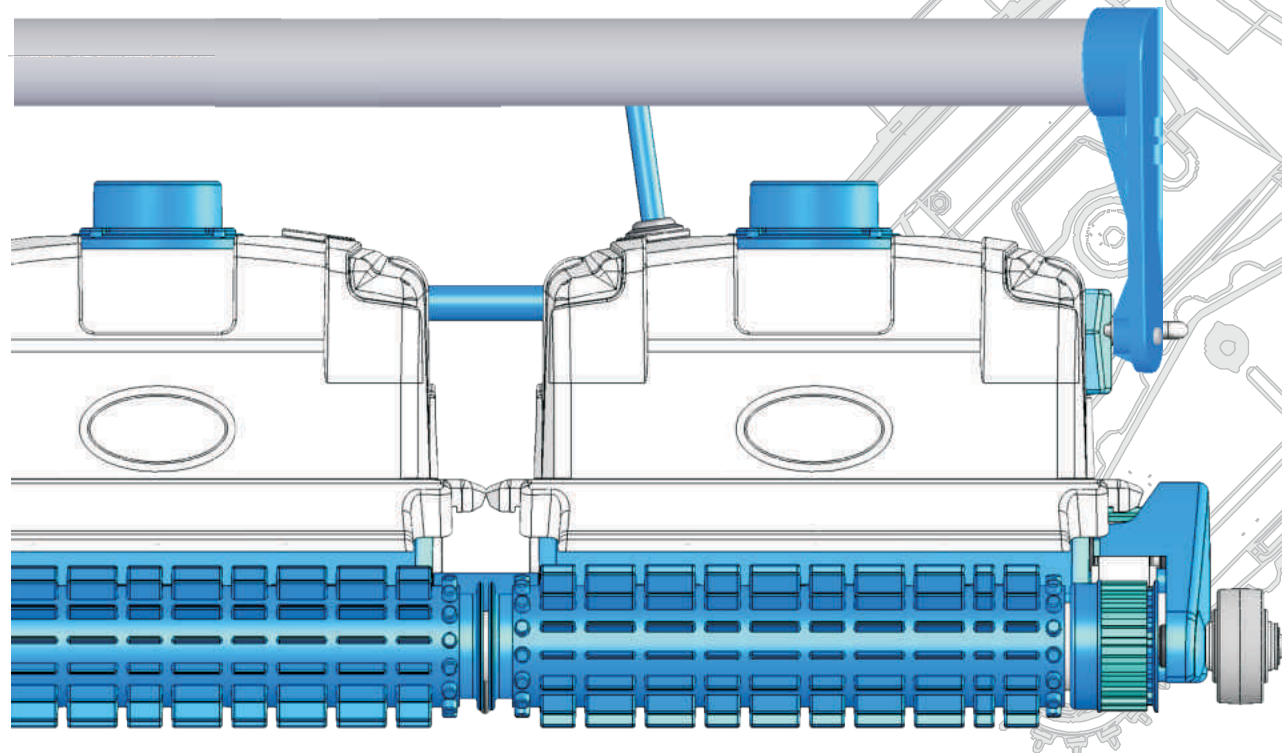
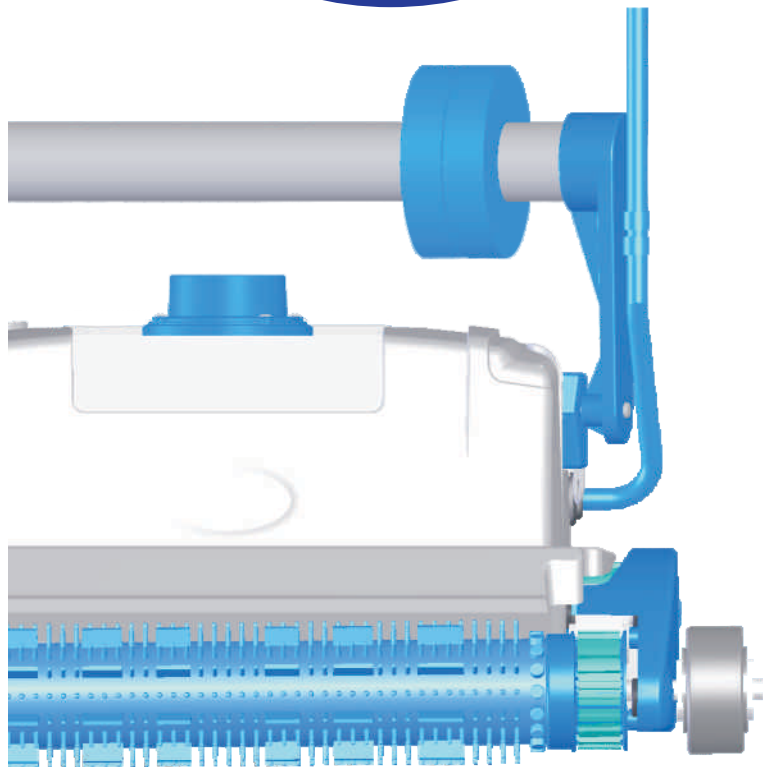


Use & Care Guide
Robotic Pool Cleaning System



DuraMax Jr. T RC
DuraMax Bi-Turbo T RC
DuraMax RC
DuraMax Duo Jr.
DuraMax Duo







DuraMax Jr. T RC

DuraMax Bi-Turbo T RC

DuraMax RC

DuraMax Duo Jr.

DuraMax Duo

Dear Customer,
Thank you for choosing our product to clean your pool. We hope that you will enjoy using your new robot to maintain your swimming pool for years to come.
Before you begin to use your robot, please take a few minutes to carefully read these operating instructions.
Again, thank you for choosing our product.

***To avoid a possible electrical shock, do not use this product if the floating cable appears to be damaged.**

IMPORTANT SAFETY INSTRUCTIONS

READ AND FOLLOW ALL THE INSTRUCTIONS

CAUTION: Do not plug the power supply into a grounded outlet or do not switch the pool cleaner "ON" if it is not fully immersed in water. Operating the cleaner out of water will cause severe damage immediately and will result in loss of warranty.

Allow the cleaner to remain in the pool for 15 to 20 minutes following the end of its cleaning cycle. This will allow the motors to cool adequately. Do not leave the cleaner in the pool all the time. Always remember to turn the power supply "OFF" and unplug it from the power outlet before removing the cleaner from the pool.

WARNING: The cleaner must not be used when people are in the water. For use with swimming pool only

Safety Note

- The unit must be supplied through a residual current device (RCD) having a rated residual operating current not exceeding 30 mA
- The connection to the branch circuit should be consistent with the local and national wiring rules (electrical code).
- If the supply cord is damaged, it must be replaced by the manufacturer's service agent or a qualified and trained person in order to avoid hazards.



This appliance is not intended for use by persons (including children) with reduced physical, sensory or mental capabilities, or lack of experience and knowledge, unless they have been given supervision or instruction concerning use of the appliance by a person responsible for their safety. Children should be supervised to ensure that they do not play with the appliance.



WARNING: A Ground Fault Current Interrupter (GFCI-USA) or a Residual Current Device (RCD-EUROPE) must be installed to protect your electric outlet and prevent any possible electric shock.

IMPORTANT:

Please be sure to always keep your pool cleaner properly stored anywhere between 10 to 40 degrees Celsius (50 to 104 degrees Fahrenheit). This will keep the motors, plastics and seals protected. Failure to comply will result in loss of warranty.
Robot can be used in water with temperatures ranging from 13°C to 35°C (55°F to 95°F). However, the recommended optimal temperature is between 22°C and 32°C (72°F and 90°F)

SAVE THESE INSTRUCTIONS

IMPORTANT INFORMATION

MAKE A RECORD FOR FUTURE USE

Model _____

Purchase Date _____

Place Purchased _____

Serial Number _____

DuraMAX
Jr. T RC



DuraMAX
BITurboTRC



DuraMAX
RC



DuraMAX
Duo Jr.



DuraMAX
Duo



Note: Serial number can be found on the warrantee card or on the packing carton.

QUESTIONS?

1-888-AQUATECH (888-278-2832)
For Technical Support
FAX: 973-857-0261

INTERNET

For online support and product information
visit www.AquaProducts.com/Service



Before performing any troubleshooting or maintenance procedures on your cleaner, it should be disconnected from the Power Supply (transformer) and the Power Supply should be unplugged from the electrical outlet to prevent the possibility of personal injury or damage to the cleaner.

Always Unplug your Power Supply when not in use to prevent accidental starts.

Never operate the cleaner out of the water. Doing so will cause severe damage to the motor and void the product Warranty.



Water temperature and chemical composition changes can greatly affect the buoyancy of your cleaner. Therefore, if you have previously installed floatation devices in your cleaner to assist its buoyancy, it may be necessary to remove the devices one by-one until proper buoyancy is restored.

Never lift your cleaner out of the pool using the Floating Cable. You may use the Floating Cable to pull the cleaner to the side of the pool, but always use the Floating Handle to remove it from the pool. Pulling on the Floating Cable to remove the cleaner from the pool will result in internal connections being broken and severe damage being caused to your cleaner.

Never Swim While Cleaner Is In Use

Please Read The Entire Manual Carefully Before Using Your Automatic Commercial Pool Cleaner



This symbol is intended to alert the user to the presence of "dangerous voltage" within the product's enclosure that may be of sufficient magnitude to constitute a risk of electric shock to persons.



This symbol is intended to alert the user to the presence of important operating and maintenance (servicing) instructions in the literature accompanying the appliance.

Robotic Commercial Pool Cleaner

For Commercial - Public Swimming Pools
COMPONENTS OVERVIEW



QUICK START GUIDE

To Operate Cleaner

- (1) Locate a GFCI 110 V~ac. receptacle, and plug the Power Supply in.
- (2) Completely immerse the cleaner in water.
- (3) While the cleaner is in the water, gently tilt it side to side (fig3). This will allow any trapped air to escape through the pump outlets. Then, with a gentle push, allow the cleaner to sink to the bottom of the pool.



NOTE: If the cleaner does not sink to the bottom of the pool, it's a result of trapped air. This air must be removed for proper operation.

- (4) Uncoil the floating cable fully and spread it over the surface of the water as evenly as possible. Make sure the cable has no tangles or kinks.
- (5) To start the Commercial Pool Cleaner, press the Power Supply ON/OFF switch to the On position. If your Power Supply is equipped with an adjustable Timer you can now select the length of the cleaning cycle and press the Reset button to start the cleaner.

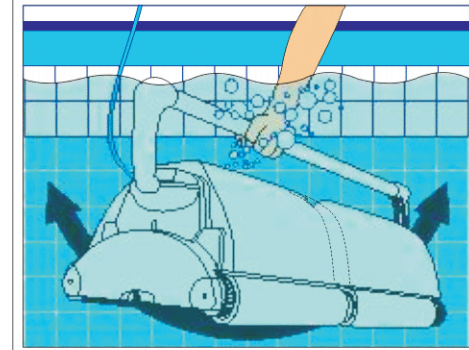


Fig.3

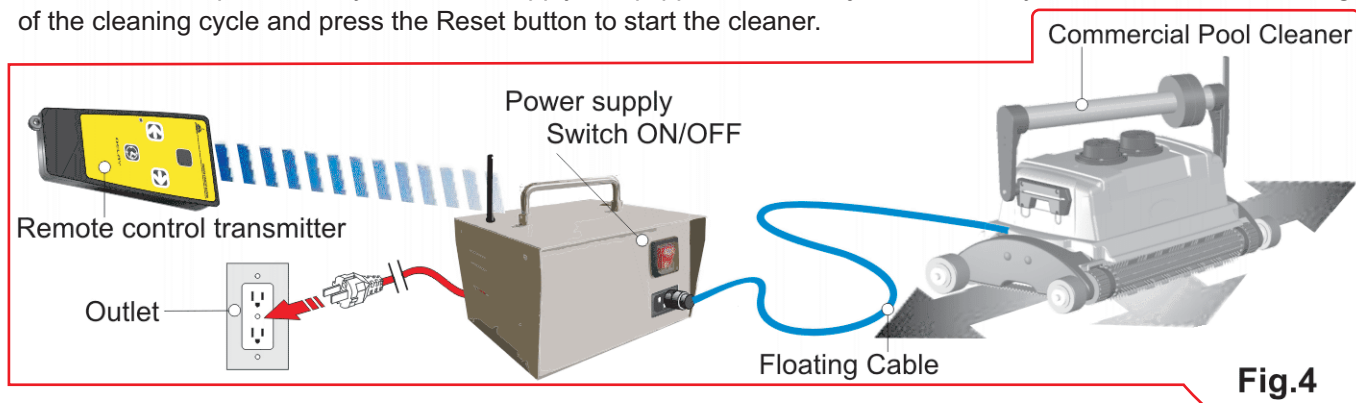


Fig.4

To Maintain and Protect your Cleaner

- Shut off and unplug power supply every time you remove the cleaner from the water.
- Clean your filter bag after every cleaning cycle.
- Replace worn brushes to ensure maximum cleaning performance.
- Save your cleaner's packaging materials for off-season storage or if shipping to your dealer if service is required.
- Clean the unit with fresh water after every cleaning cycle. This will wash the cleaner free of chlorine or other chemicals found in the pool, extending the life of all the cleaner's components.
- Do not leave your cleaner or power supply in direct sunlight when not in use.
- Periodically straighten out the cable using the E-Z Swivel

CABLE USE AND CARE

The cable may become twisted after a period of time in use. To correct this condition, simply lock the moveable handle on the top of the cleaner in the opposite diagonal direction. The Commercial Pool Cleaner will now travel in the opposite direction while cleaning your pool and the cable will uncoil.



Using the Floating Cable to lift the cleaner out of the water will cause severe damage!

OPERATING INSTRUCTIONS



Check the cable periodically for external damage. Continual rubbing against sharp or rough surfaces may abrade the Floating Cable resulting in damage and possible short-circuiting of the cleaner.

Filter Bag

Lay the cleaner on its back on a soft surface to avoid scratching it. Gently pull-on the Lock Tab on one end or side of the Bottom Lid freeing one end of the Bottom Lid. Repeat this procedure on the other end and remove the Bottom Lid Assembly . Remove the Filter Bag from the “W” Frames, turn it inside out and wash off all the dirt with a garden hose or in a bucket. Squeeze



the Bag gently until the rinse water is clear. If necessary, machine wash (Gentle Cycle only) the Bag using only cold water with *NO DETERGENT*. You may re-install the bag immediately or allow it to air dry (never machine dry the Filter Bag). Re-install the Bag on the “W” frames of the Bottom Lid Assembly, making sure that the “felt” (soft) side is facing in. To ensure a proper fit of the Filter Bag onto the Bottom Lid Assembly, locate the small Label near the Filter Bag's elastic bottom (Ref 2.1). Position the Filter Bag so that the small Label is at the center of either long side of the Bottom Lid. Then pull the elastic bottom over each Wire and slide the Filter Bag down along the Wires until the Bag reaches the Bottom Lid. At that point, the Filter Bag's elastic bottom should be stretched over the plastic ridges located at opposing ends of the short sides of the Bottom Lid. This holds the Filter Bag in place. Press down on top of the Filter Bag where each of the four “U” shaped slots on the Wire Frame are located. This will pull the Filter Bag corners to the corners of the Wire Frame. Re-install the Bottom Lid Assembly into the bottom of the cleaner. Be sure that the Filter Bag's fabric is not interfering with the locking of the Lock Tabs.

The cleaner's Filter Bag can filter out particles down to 20 times smaller than many main filters. This means that the fine particles such as algae and bacteria, invisible to the naked eye, which slip through the main filter and back into the pool to settle into the pores of the pool's surface, will be scrubbed loose and vacuumed up by the cleaner and retained in its Filter Bag. When the Filter Bag becomes saturated with debris, the flow of water through it becomes restricted and suction is reduced. Strong water flow is required to force the cleaner against the wall when climbing. A dirty Filter Bag also weighs the cleaner down, making it hard for the cleaner to climb due to the added weight and reduced water flow.



Temperature and chemical composition changes can greatly affect the buoyancy of your cleaner.

Therefore, if you have previously installed floatation devices in your cleaner to assist its buoyancy, it may be necessary to remove the devices one by-one until proper buoyancy is restored.

OPERATING INSTRUCTIONS

BOTTOM LID ASSEMBLY

DuraMAX
Jr. T RC

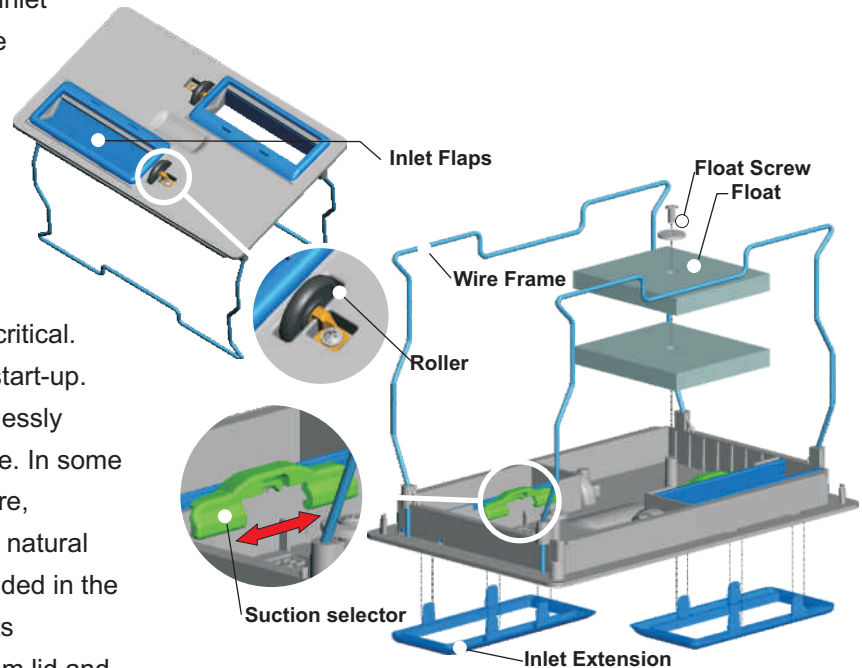


DuraMAX
Duo



The Bottom Lid Assembly has several options that will permit you to control the way the cleaner operates. The bottom lid consists of six parts. **(1)** Two rollers are located adjacent to the inlets. This prevents the cleaner from being stuck on obstacles like drain covers. If they are not needed, the rollers may be removed by removing a single phillips screw. **(2)** The inlet extensions will lower the suction point of the cleaner. The lower the suction point, the greater the suction. Your cleaner comes with two sets of

inlet extensions, 1/8" and 1/4". When using the inlet extensions observe the cleaners operation in the pool to see if any obstacles interfere with the extensions. **(3)** Your cleaner offers the best possible performance when it is virtually weightless in your pool. So, careful balancing of its weight is important. Generally, a new cleaner is very light when used for the first time. Careful removal of air trapped in the housing is critical. Additional floatation is typically not required on start-up. Most pool conditions allow your cleaner to effortlessly climb the pool walls and stairs up to the waterline. In some instances the pool environment (e.g., temperature, chemicals, water, etc.) may offset your cleaner's natural buoyancy. Therefore, four floats have been included in the packaging with your new cleaner to assist with its buoyancy. **(4)** Located on the inside of the bottom lid and near the suction inlet is the Suction Selector Switch. If the selector switch is moved towards the "LESS" markings the inlet flaps will be kept from fully opening. This will increase the suction power of the cleaner, but will also restrict larger debris from entering the filter.



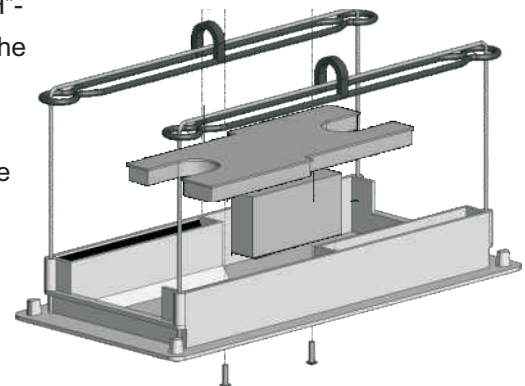
DuraMAX
DuraMAX
BiTurboTRC



DuraMAX
RC
DuraMAX
Duo Jr.



To Add Floatation: **(1)** Remove the two Screws from the "H"-Float. Then, place the "H"-Float, foam-side down, against the inside base of the Bottom Lid Assembly. Secure the "H"-Float with the two screws provided by fastening them from the outside of the Bottom Lid Assembly. This should provide adequate buoyancy. **(2)** Should your cleaner require more floatation, add the two remaining Pocket Floats. Pocket Floats do not require any screws or glue. Simply place them into the open rectangular cavities outside to the side of the Intake Flap housing.



AIR SENSOR

The DuraMAX™ line of cleaners has a sensor that permits the use of these cleaners in zero-depth entry pools. If the Robot leaves the water for any reason, the system will detect the fault and will attempt to return the robot to safe operating water level (Back to the pool).

OPERATING INSTRUCTIONS

DURAMAX Jr. HT, DURAMAX Jr. T RC, DURAMAX, DURAMAX BiTURBO T RC

DuraMAX Jr. T RC

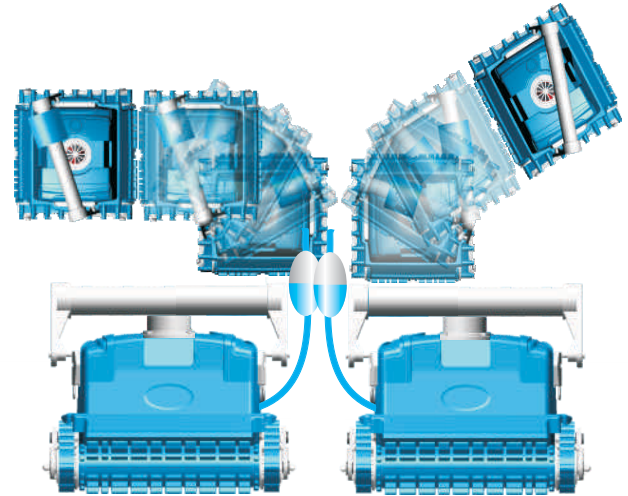
The **DuraMAX Jr.** program operates by shutting down the Pump Motor for a 6 second period during its operation. During this period the Cleaner will turn and then continue its cleaning cycle.

FEATURES

If the machine for any reason gets stuck on the pool floor for more than 2 minutes or if the machine does not see a wall within 2 minutes it reverses itself..

OPERATION

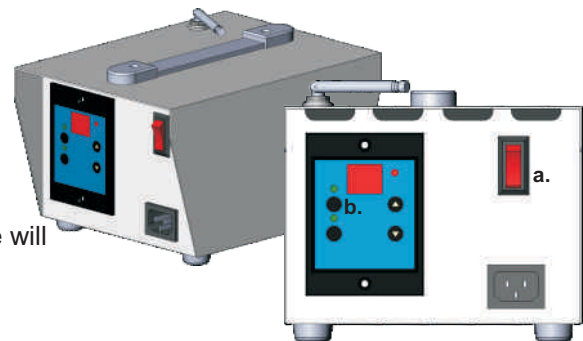
After the Power Supply main switch is turned on (fig. a) and the C-run/Reset Switch is pressed on the power supply,(fig.b) the machine will run a test sequence for the first 9 seconds. Then the machine will search for a wall. When it finds a wall the machine will climb the wall for 15 seconds, will reverse, go down the wall and move away from the wall for 21 seconds, it will reverse and go back towards the wall for 5 seconds. The pump will turn off and perform a turn. After this the pump will turn back on and will return again towards the wall. The machine will climb the wall for 2 seconds, reverse for 25 seconds and will reverse again. The machine will repeat this three times. On the fourth time the Cleaner will cross the pool to the opposite wall and repeat the first three actions moving in the opposite direction



DuraMAX BiTurboT RC

The cleaning pattern of the **DuraMAX** can be adjusted by the user by adjusting the foam float located on the floating handle. The further from center the float is located the further the cleaner will turn.

Alternatively, the closer the float is towards the center a smaller angle can be achieved. To make the cleaner turn right the float should be located on the left side. To make the cleaner turn left locate the float on the right side. Rotating the float from side to side will keep the Cable from tangling



DURAMAX FEATURES

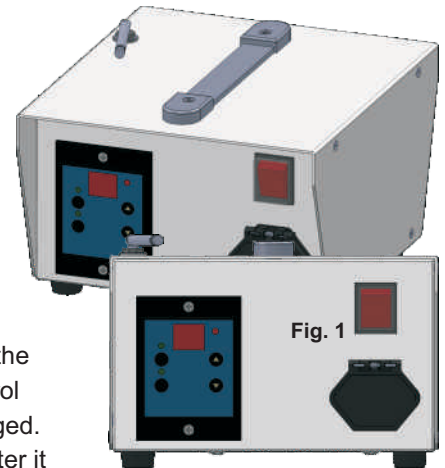
If for any reason the machine gets stuck on the pool floor for more than 2 minutes or if the machine does not see a wall within 2 minutes, it reverses itself. If for any reason the machine gets out of the water, it will reverse itself every 25 seconds. If the machine is on the pool wall and does get down to the pool floor, the machine will reverse itself after 30 seconds and then will reverse again after 30 seconds. If the machine remains on the wall or is up-side down for over 2 ½ minutes, the pump will turn off for 30 seconds and let the machine settle to the bottom of the pool. If during the next 30 seconds, the machine remains on the wall or up-side down the machine will shut down to protect the cleaner from harm.

OPERATING INSTRUCTIONS

the machine reverses an internal clutch in the wheel tube will cause the cleaner to turn slightly. This sequence will repeat three times. On the fourth time the machine will climb the wall for ten seconds This sequence will repeat 30 times then the machine will cross the pool and travel in the opposite direction.



DURAMAX DUO/DUO Jr/RC This machine has a *delayed start* feature where the machine can start cleaning the pool an hour after the Main Power Supply is turned on. This is done by switching the power supply on (fig 1) and pressing the delay button on the remote control (No.4). The UP/DOWN button allows the machine to reverse itself both on the wall and floor. If for any reason the machine is stuck on the pool floor for more than 6 minutes it will reverse (the Duramax RC has 2.5 minutes before reversing.) If the machine does not climb a wall within 6 minutes, it will reverse in the other direction. If the machine climbs out of the water, it reverses itself every 25 seconds. The machine can be programed for *wall and floor or floor only* cleaning. The default mode is set to clean the floor only. To change the mode to clean the floor and wall, press the forward/reverse button on the remote control once then turn the Main Power Supply switch on and the floor only mode will be engaged. After the Power Supply switch is turned on the machine will first search for the wall. After it finds the wall, the machine climbs the wall and remains on the wall for 2 seconds or 45 seconds ("*pool floor only*" and "*pool floor and wall*" mode respectively) after which it reverses itself to head towards the pool floor. The machine will move away from the wall for about 2 seconds turn, reverse and will search for the opposite wall. The machine will climb the wall and remains on the wall for 2 seconds or 45 seconds ("*pool floor only*" and "*pool floor and wall*" mode respectively) after which it reverses itself towards the pool floor. After this the program will repeat itself. Between 1 to 4 minutes the machine will turn on the pool floor. The machine will perform a 90 degree turn and alternate between right and left turns



SIX BUTTON REMOTE

Up/Down – Press once to change the current direction (Forwards/Backwards) of your cleaner.

Left – Press and hold to turn the cleaner to the Left. Release the button when the unit is moving in the desired direction.

Right – Press and hold to turn to the Right. Release the button when the unit is moving in the desired direction.

Delay – Press once to delay the cleaning cycle of your cleaner by 1 hour. This feature allows the cleaner to start working after the debris has settled to the bottom of the pool. Pressing the button again will cancel the 1 hour delay and your cleaner will start working immediately.

Climb – Press once to switch between the floor only and floor-and-wall mode.

Speed – Press once to switch between Standard cleaning speed and Detailed cleaning speed (slower).

OPERATING INSTRUCTIONS

DRIVE TRACK AND BELT

DuraMAX
RC
DuraMAX
Duo Jr.
DuraMAX
Duo

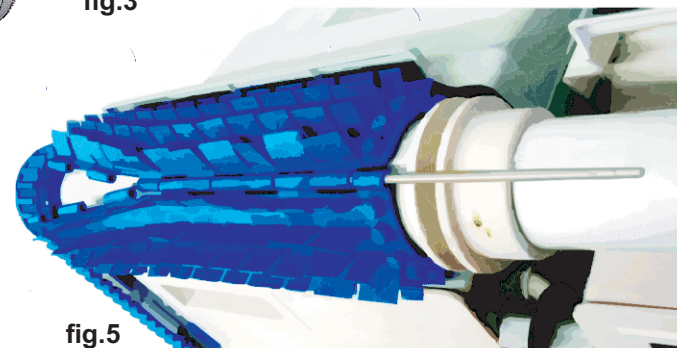
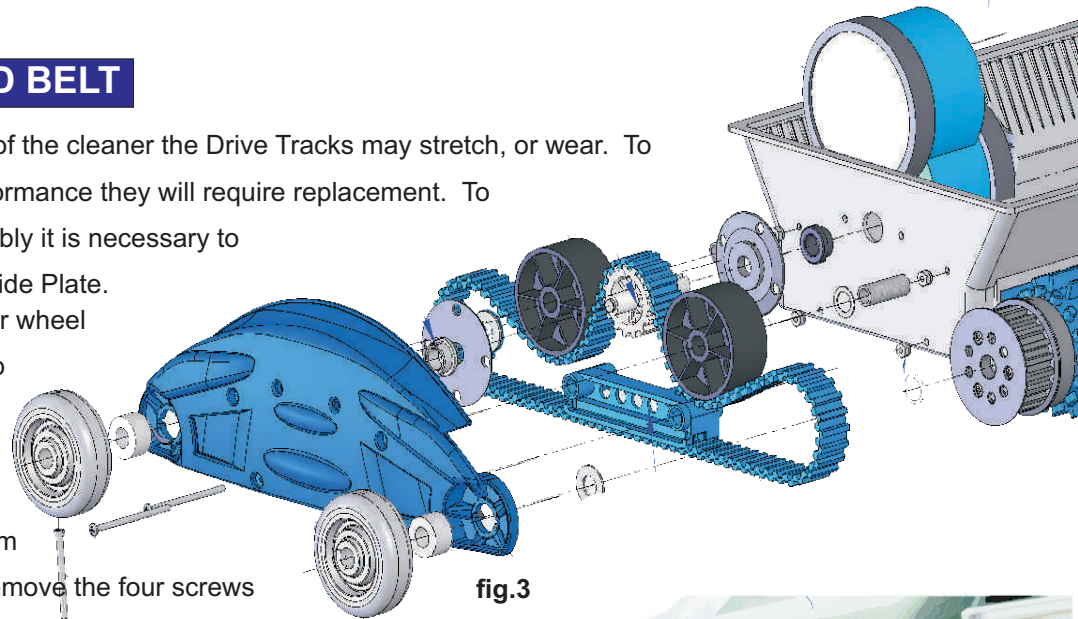
With prolonged usage of the cleaner the Drive Tracks may stretch, or wear. To maintain optimum performance they will require replacement. To access the gear assembly it is necessary to remove the cleaner's Side Plate.

(1) Remove the Bumper wheel by removing the "C" clip and then the locking screw (FIG 3).

(2) Turn the cleaner upside down and remove the Bottom Lid Assembly. Locate and remove the four screws that hold the Side Plate to the main body. The Side plate is now free and ready to be removed.

(3) When the Side Plate is taken apart, you will notice 3 black bushings. It is a good idea to also replace these Bushings when the Drive Tracks are replaced.

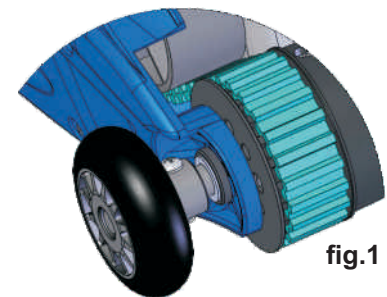
(4) After the Drive Tracks and Bushings are replaced, reassemble the Side Plate as shown here. (FIG 4)



SUPER E-Z BRUSHES

To Change Super Brushes for full length and "split" Wheel Tubes:

Using a pair of pliers, grab one end of the stainless steel Rod that is securing the old Brushes onto the Wheel Tube. Pull away from the Wheel Tube slowly until the entire existing Brush is freed and removed. Wrap the new Super Brush around the Wheel Tube. Join the ends of the replacement Super Brush using the Metal Rod supplied in the package. Slide the Rod through the Tabs molded into the ends of the Brush. Make sure that the Rod is inserted through every Tab. (FIG 5)



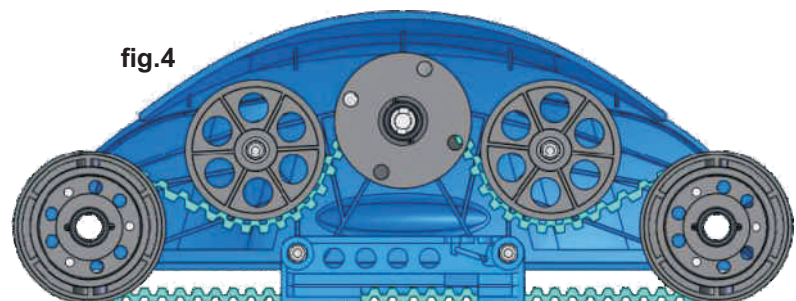
CHANGING DRIVE BELTS

DuraMAX
RC
DuraMAX
Duo Jr.
DuraMAX
Duo

To remove the drive belts, locate the small hole on the outboard wheels (fig.#1) and remove with a slot screwdriver. Repeat for all four wheels.

Then remove the bolts and nuts from the Side

Plate (fig.#3) at four places. After you remove the Side Plate the interior assembly of the Drive Pulley, Idlers, and Wheel Tubes will fall onto the work surface. Take note as to where the internal parts are located. Refer to the picture above to see the way the Drive Belt is threaded through the Pulleys.



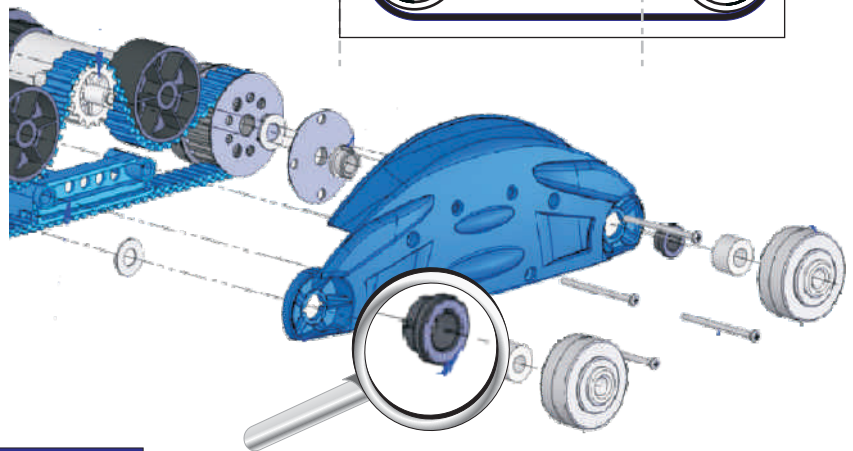
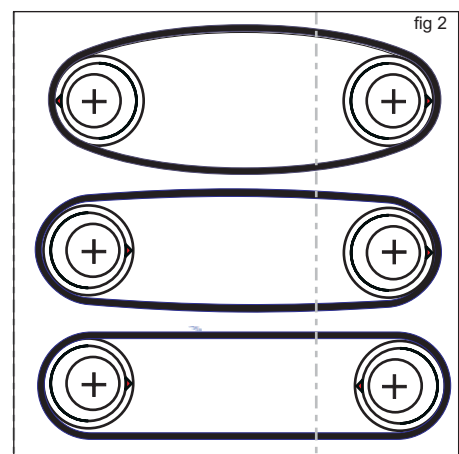
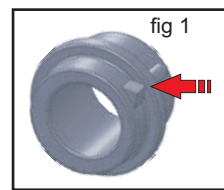
OPERATING INSTRUCTIONS

TRACK TENSIONING BUSHINGS

You can expect optimum performance and extended track life from your commercial cleaner if the cleaner's Drive Tracks remain tight. Bushing # 3627 is used to keep the Drive Tracks at its proper tension. The Bushing has an eccentric hole.

Depending on what direction the bushing is installed into the side plate, the Drive Tracks can be made to fit looser or tighter (fig 2.).

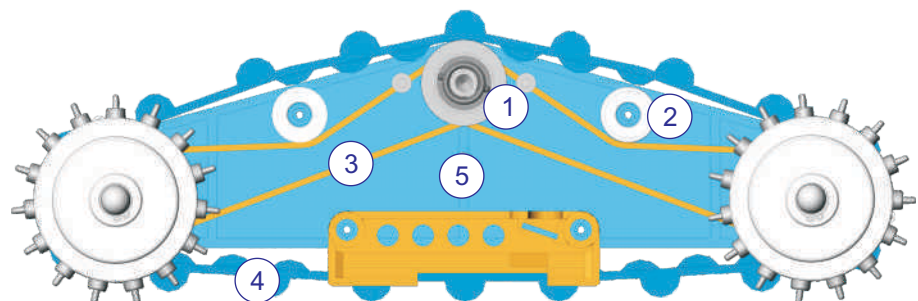
Locate the small arrow molded into the Bushing (fig 1.) When installing the Bushing, if the arrow is pointed towards the center of the machine the Drive Track will be made tighter. If the arrow is pointed away from the machines center the Drive Tracks will be looser.



CHANGING DRIVE BELTS DURAMAX Jr HT

After a number of months or years, depending on usage, the Drive Belts (Ref.# 3) [2 located behind the Side Plate (Ref.# 6) on the Drive Motor side of the cleaner*] may begin to stretch. To maintain optimum performance these will require replacement. 1. Unplug the cleaner from the Power Supply. 2

.Remove Drive Tracks (Ref.# 4). 3. Place the cleaner on a non-abrasive surface and turn cleaner upside down. Remove Bottom Lid Assembly. 4. Remove the Wheel Tube Retaining Rings. 5. Locate and remove 4 Screws on Drive Motor side, which holds Side Plate in place. NOTE: Before removing the Screws, notice how the Drive Belts, Drive Pulley (Ref.# 1), Stepped Sleeve Rollers (Ref.# 2), and Bushings are positioned for re-assembly. 6.Remove old Belts and replace them with new Drive Belts, being careful to properly position the replacements. One Belt from the Drive Pulley to the Front Wheel Tube one from the Drive Pulley to the Rear Wheel Tube. The Belts must press against the thicker side of the Stepped Sleeve Rollers for proper tension .To re-assemble, reverse steps.*Remote Control Cleaners with Two Drive Motors have a total of four Drive Belts, two located behind each Side Plate.



- 1....Drive Pulley
- 2....Step Sleeve
- 3....Drive Belt
- 4....Drive Track
- 5....Side Plate

TROUBLESHOOTING GUIDE

VGB POOL COVERS

The Virginia Graeme Baker Act (VGB) Pool and Spa Safety Act requires the installation and use of anti-entrapment drain covers and other systems in an effort to reduce deaths and injuries in swimming pools.

These new drain covers may make it difficult or block the Cleaners ability to move over or pass by them. A feature has been added in the programming of your cleaner that will assist the Cleaner to become unstuck should it get caught on the drain cover.

Aqua Products has also included an extra set of higher durometer EZ Brushes with your new Cleaner. These brushes will also assist the Cleaner to limit the contact with the new VGB covers without reducing the performance of the Cleaner.



Before performing any troubleshooting maintenance procedures on your cleaner, it should be disconnected from the Power Supply (transformer) and the Power Supply should be unplugged from the electrical outlet to prevent the possibility of personal injury or damage to the cleaner.

Pumps Water, But Cleaner Moves Slowly or Does Not Move at All

Place cleaner upside down (on a non-abrasive surface so that it won't become scratched or scuffed) and unplug it from the Power Supply.

- ▼ Check for any debris such as hair, string, or leaves that may be obstructing the free movement of the Drive Pulley, Drive Rollers, or Drive Tracks.
- ▼ Check that the Drive Rollers and Drive Pulley are properly aligned and are taut, adjust or replace if necessary. Then, plug the cleaner into the Power Supply and turn it on outside the water (while still upside down), allowing it to run a maximum of 1 minute to check the following:
- ▼ Check that the Drive Pulley is turning. If it is not, grip one Wheel Tube with both hands and rotate it forward and reverse to see if the Drive Motor is connected to the Drive Pulley. If you have checked all of the suggestions and the problem still exists then please contact Customer Service.

Does Not Clean Entire Pool (Misses Areas) or Does Not Climb Walls

- ▼ Your cleaner is designed to clean the pool many times over within its recommended cleaning cycle (up to 3 hours) by cleaning one section at a time in a systematic pattern. If large portions of the pool are missed when the cleaning cycle is complete. then please check the following:
 - Be sure that the Power Supply is located in the center of one of the long sides of the pool. This will allow optimum use of the cleaner's Floating Cable's length. Make sure that the Floating Cable is untangled and spread out on the surface of the water.
 - ▼ Clean the Filter Bag thoroughly so that the fine particles of dirt that get trapped within the fibers of the Filter Bag are removed.
 - ▼ To test if the Filter Bag is inhibiting the cleaner's performance, simply remove the Filter Bag and operate the cleaner without it.
 - ▼ If the cleaner then pumps water strongly, and climbs the walls properly, the Bag most likely requires a thorough cleaning
 - ▼ You may need to add Floatation. Your cleaner needs to properly climb the walls and to move left or right scrubbing the waterline in order to properly clean the entire pool.

TROUBLESHOOTING GUIDE

If you use a non-chlorine solution (i.e. Baquacil) to clean your pool, a clear slick film may form along your pool's walls impeding the cleaner's ability to climb. We suggest adding 225 to 300 parts per million of Calcium Hardener to your pool water to combat the film built-up.

- ▼ If your pool is irregular in shape (T, L, freeform) or has large swim out areas your cleaner may not easily enter all pool areas in a standard cleaning cycle. To ensure cleaning of all areas, we suggest placing the cleaner in each of the 'separate' areas of the pool allowing a complete cleaning cycle for each area.

- ▼ **Moves But Does Not Pick Up Dirt And Debris**

Check the operation of the Pump Motor. While the cleaner is in the pool, with the Power Supply switched on, hold the cleaner's Floating Handle so the Outlet Top breaks the pool surface. Water should gush from the Outlet Top. If there is no water flow, or if it appears weak, proceed to the next step.

Using a screwdriver, remove the screws that secure the Outlet Top to the body and inspect the Propeller for clogs, hair or other debris which may keep it from spinning freely. If it appears to be frozen and no debris is blocking its movement, or if the Propeller moves freely when spun manually but not when the cleaner is turned on, or if the propeller is loose and wobbles when spun manually, contact Customer Support for assistance. If the Pump is operating properly replace the

- ▼ Outlet Top. Be careful not to over tighten and damage the plastic, then proceed to the next step.

- ▼ Clean the Filter Bag thoroughly so that the fine particles of dirt that get trapped within the fibers of the Filter Bag are removed.

Check the Intake Valve Flaps on the underside of your cleaner. The Flaps should open and close freely. Clean and free the Valve Flaps if necessary.

Gets Stuck On Ladders, Main Drains, Return Fittings, Lights, Stairs Or In Corners Cleaners have approximately one inch of clearance between the floor and its underside. The Brushes enable the cleaner to climb over obstacles like raised main drains, return filters, lights, and pop-up, in-floor systems, and climb up stairs in most pools. But, in some cases, the size or shape of these obstacles (i.e. lights, main drains) may stop the cleaner from moving by catching on the underside of the cleaner. Follow these recommendations to assist your cleaner with the following obstacles: Ladders, Return Fittings, Lane Hooks, Lighting Fixtures Objects protruding from walls may impede the left/right movement of your cleaner when it is at the waterline. For optimal performance, it is recommended to remove objects from the pool walls when operating your cleaner. The greater the number of objects on the pool walls, the greater the difficulty your cleaner will have covering the entire pool. One object (i.e. ladder) in pool may affect the overall cleaning cycle of your cleaner to a minor extent. Two or more objects in the pool positioned either directly opposite one another, or diagonally across from one another, will restrict your cleaner to primarily clean only one section of the pool on one side of the objects during its cleaning cycle. If these objects can not be removed then place the cleaner in each of the 'separate' areas of the pool, allowing each a separate complete cleaning cycle. It is best to place your cleaner at the farthest points of the pool at the beginning of each cleaning cycle. Return Fittings - Contact your Authorized Dealer for return fittings of the same diameter as your current fittings, yet with smaller extensions (under 1" height). This should provide the clearance needed for your cleaner to climb freely.



Note: The bottom step of a ladder may stop your cleaner from freely climbing and tilting 90 up the wall from the floor. This means the cleaner will remain in the forward mode, 'spinning its wheels', under the ladder, not allowing its internal incline sensors to detect the wall. Fortunately, your cleaner is equipped with a safety timer that will automatically reverse your cleaner after a period of time.

- ▼ Check the brushes to see they are plush and not worn. Should they require replacement, contact Customer Service. The replacement Brushes are a different style with a larger diameter, providing increased ground clearance and a faster speed to climb over obstacles.



Note: Incline Sensors - Always start your cleaner on a horizontal level surface (both Brushes touching the floor). Should your cleaner begin its cleaning cycle in an incline, the Incline Sensors within the Drive Motor may begin operating assuming that the incline angle is a level floor. When the cleaner does become level, the Incline Sensors will tilt and consider the floor to be the wall. This will offset its operation, causing the cleaner to remain in forward or Reverse positions for great lengths of time, resulting in insufficient cleaning

