



INSTALLATION GUIDE  
AND  
OWNERS MANUAL



MADE IN AUSTRALIA BY  
**AQUAQUIP**

Automatic Pool Cleaners (Australia) Pty Ltd  
40 Percy Street, Auburn NSW 2144 Australia  
Ph: +61 2 9643 8338 Fax: +61 2 9643 8448

[www.aquaquip.com.au](http://www.aquaquip.com.au) [www.jetvac.com.au](http://www.jetvac.com.au)

**CONGRATULATIONS** on purchasing Jet-Vac, the finest pool cleaner available today. Jet-Vac has a patented, built-in backup system that will move the unit out of corners and away from other obstacles that tend to trap other pool cleaners. The unit moves forward for approximately three minutes, then backs up and turns for approximately 45 seconds, all the while vacuuming and sweeping your pool in a random pattern. It is designed with fewer moving parts to give you years of dependable, economical service.

Jet-Vac is proudly made in Australia, built from the best materials obtainable using state-of-the-art machinery and is backed by a one year limited warranty that guards against defects in parts and workmanship.

## Important Information for Installer and Jet-Vac Owner

Like any other mechanical device, the Jet-Vac should be routinely maintained. Jet-Vac travels over 1,000 kilometres (620 miles) per year, underwater. Therefore, we recommend that you have your Jet-Vac checked periodically by your local pool professional.

Not only does Jet-Vac pick up leaves, debris, sand and silt, it also spreads your chlorine all over the pool and ensures sparkling clean water all the time. There are a few hints, which will help you prolong the life of your Jet-Vac and reduce operating costs at the same time.

- Jet-Vac is not designed to clean up after new pool construction. Large amounts of pebbles, grit and sand can damage the wheel bearings. Please manually vacuum the pool thoroughly before installing the Jet-Vac.
- If your new Jet-Vac tends to fly around the pool, remove the Jet-Vac and lay the feed hoses and sweep hose out in the sun for 1-2 days. This will remove the hoses "memory" of being coiled up.
- Jet-Vac is a very efficient pool cleaner and normally only requires 2-3 hours of use per day. The Jet-Vac booster pump can only run while the pool pump is operating. To achieve this, we strongly recommend that a separate time clock is installed. For Australian customers we recommend the Aqua-Quip Flow Control Pro Series Timer. This will minimize the risk of your Jet-Vac pump running dry and will significantly reduce ongoing repair costs. The Flow Control Pro Series Timer is simple to install and is available from your local pool professional.
- The inner surface of a concrete pool can be abrasive and the Jet-Vac will have certain components wearing down over time. The wheels have special wear indicator grooves molded in so that you can easily tell when they need to be replaced.
- Empty the leaf bag regularly. Failure to do this results in twigs ripping the bag or the bag dragging along the surface of the pool, resulting in premature failure.
- When removing Jet-Vac from the pool for an extended time, always lay the hose straight. Do not store the Jet-Vac hose coiled up. Never store Jet-Vac exposed to direct sunlight.
- If the Jet-Vac starts to move more slowly than normal, check the filter screen inside the white wall fitting. To clean the filter screen: Push in and turn the bayonet style wall fitting anti-clockwise to release it from the wall adaptor. Remove mesh filter screen for cleaning. O-ring on wall fitting should be lubricated regularly to enable easy removal. Clean this filter screen regularly to ensure efficient operation at all times.
- Before backwashing the filter, turn the Jet-Vac pump off. Disconnect bayonet wall fitting from wall adaptor. Backwash the filter according to manufacturer's instructions. After backwashing is complete, turn on pool pump to run on filter cycle and then switch Jet-Vac pump on for 10 seconds. This will dislodge any debris caught in the Jet-Vac supply line. The Jet-Vac pump will run noisy whilst running without the wall fitting attached for this short period of time. Turn off the Jet-Vac pump and pool pump, reconnect Jet-Vac bayonet wall fitting onto wall adaptor. Place Jet-Vac cleaner into pool.
- After turning on the pool pump and Jet-Vac pump you may find air accumulating in the leaf bag. If so, release it by gently touching the top of the leaf bag with a telepole or similar device. Air will be released through the mesh air-release material at the top of the leaf bag.
- Never operate your Jet-Vac without a booster pump. Your existing filter system cannot generate adequate pressure.
- Always remove Jet-Vac and hoses when adding chemicals. Run filter to mix chemicals in water for at least 30 minutes before reinstalling Jet-Vac and hoses in water.

## INSTALLATION PROCEDURE

### BEFORE YOU START, PLEASE READ THIS ENTIRE DOCUMENT TO ENSURE PROPER INSTALLATION AND CARE OF YOUR JET-VAC.

The Jet-Vac comes packaged in two separate boxes. One box contains the head and hose assembly, and the other contains the Booster Pump. The Jet-Vac needs a low volume, high pressure Booster Pump to operate correctly.

You may already have a booster pump at your equipment pad. If so, proceed to the next section after the Booster Pump Installation.

The Jet-Vac is designed to clean swimming pools that have been pre-plumbed with a dedicated line (pipe) that runs from its own Booster Pump to the wall of the pool. At that point, most pools have 40mm (1½") female threads. The Jet-Vac wall fitting screws into this 40mm (1½") female thread. If the pool has 19mm (¾") female threads, it will require the Wall Adaptor 19mm (¾") MPT x 40mm (1½") FPT Reducer Bushing or YMP002 Wall Adaptor.

#### QUICK DISCONNECTS:

Quick Disconnects are used at all important hose junctions. They are easily snapped on and off by pulling back on the ring and twisting on or off. Give a tug at the connection to make sure it's snug.

#### MENDER NUTS:

These plastic nuts provide a gripping hold over hose ends that have been pushed down over various fittings and connections. With the hose pushed tight over the end of the fitting or connection, grasp the hose in one hand and slide the mender nut toward the hose, twisting until firmly in place over the hose end.

#### WALL FITTING INSTALLATION:

The Bayonet Wall Fitting conveys pressurised water from the booster pump to the Jet Vac feed hoses. There are two styles of Bayonet Wall Fittings, one of which is factory fitted to the feed hose.

Both wall fittings contain a stainless steel strainer screen and both provide a means to control the water flow to the Jet Vac.

- 1) Flush the Jet-Vac supply line by first turning ON the Filter Pump and then the Booster Pump – for 30 seconds only – without the bayonet wall fitting attached.
- 2) Turn OFF both pumps.
- 3) Remove the JV23 Wall Adaptor from the wall fitting and screw adaptor by hand into the 1½" female thread on the dedicated line. Turn until tight – use wrench if necessary.
- 4) Take the Bayonet Wall Fitting and twist lock the wall fitting clockwise into the wall adaptor a quarter turn to a snug fit.

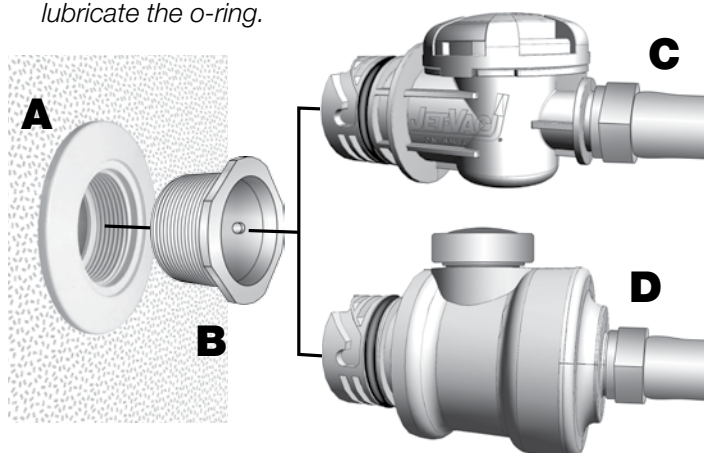
Once the wall adaptor is secure you can now twist lock and unlock to remove wall fitting with ease from the wall adaptor, which stays firmly screwed in place.

#### BOOSTER PUMP INSTALLATION:

Installation of the Booster Pump requires both electrical and plumbing. The electrical connections should be completed by a licensed electrician in accordance with applicable electrical codes. Remember, the Booster Pump is not self-priming and must be installed **AFTER** the filter pump and **BEFORE** any chlorinating device, such as liquid chlorine feeder, salt chlorinator or tablet feeder. Booster Pump details are packaged in Booster Pump box.

Please note, a Booster Pump is required for the Jet-Vac to work. If you do not have an existing booster pump please contact your local pool professional.

*It is important to periodically check and if necessary clean the wall fitting strainer screen and also to lubricate the o-ring.*



- A** = 40mm (1½") female threaded provision in pool wall (not supplied with Jet-Vac)
- B** = JV23 Wall Adaptor
- C** = JWV100 Bayonet Wall Fitting (from 2016)
- D** = JWV22 Bayonet Wall Fitting

## INSTALLATION PROCEDURE (continued)

### FEEDER HOSE ASSEMBLY:

Feeder hoses are factory-assembled and must always be in the following order:

**FIRST SECTION** is a **WHITE HOSE** that fits between the **WALL FITTING** and the **DARK BLUE HOSE**.

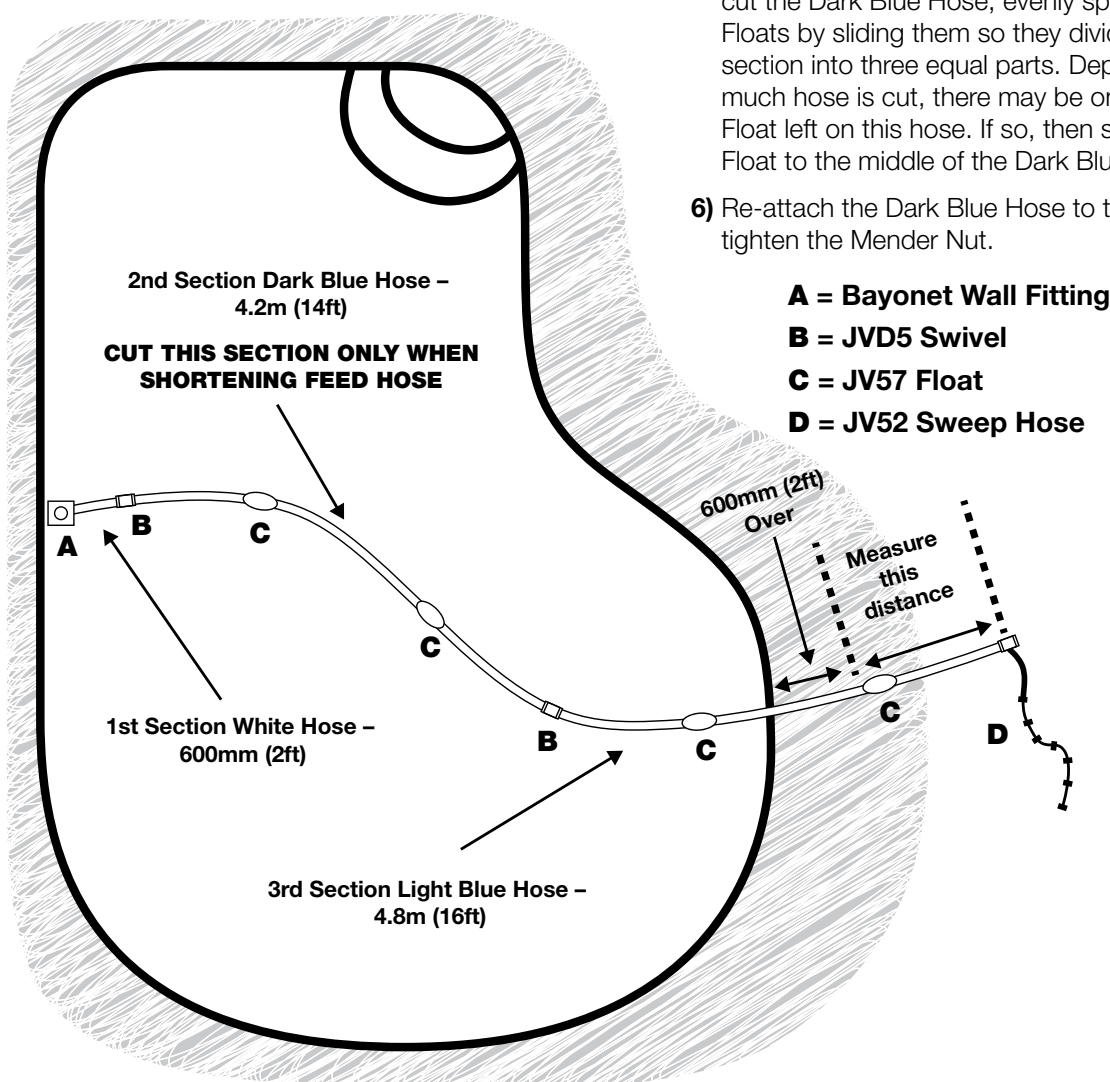
**SECOND SECTION** is a **DARK BLUE HOSE** that fits between the **WHITE HOSE** and the **LIGHT BLUE HOSE**.

**THIRD SECTION** is a **LIGHT BLUE HOSE** that fits between the **DARK BLUE HOSE** and the **JET-VAC**.

The Jet-Vac feed lines are formulated with a special material for maximum performance. These feed lines cannot be kinked at any time either during operation or when being removed from the pool. Kinking feed lines will result in bursting and will not be covered by warranty. From time to time it may be necessary to lay the entire assembled hose out straight in the sun to remove any coil-memory from the hose.

### INSTALLATION PROCEDURE FOR JET-VAC FEED HOSE:

- 1) Turn off booster pump, filter pump and time clocks.
- 2) Attach the wall fitting to the pool wall, as shown in Figure 1 on previous page. Feed hose is factory-fitted to the wall fitting.
- 3) Take the "sweep hose" end of the Jet-Vac hose and walk around the circumference of the pool to find the point that is furthest from the wall fitting. Remove the slack from the hose but do not stretch the hose.
- 4) Hold the hose at the pool edge. Allow 600mm (2ft) overhang past the pool edge, then measure from this point to the end of the feed hose. Remember what this distance is. This is the distance that will need to be cut off the Dark Blue Hose.
- 5) Go back to the Dark Blue Hose where it is marked "Cut This Section Only", unscrew the Mender Nut and cut the hose to the required length. After you cut the Dark Blue Hose, evenly space the Hose Floats by sliding them so they divide the remaining section into three equal parts. Depending on how much hose is cut, there may be only one Hose Float left on this hose. If so, then slide the Hose Float to the middle of the Dark Blue Hose.
- 6) Re-attach the Dark Blue Hose to the Swivel and tighten the Mender Nut.



## INSTALLATION PROCEDURE (continued)

**The Jet-Vac Feed Hose has now been installed, connected to the pool wall and cut to size. Now proceed to assemble and install the Jet-Vac head unit.**

### ASSEMBLE AND INSTALL JET-VAC HEAD UNIT:

- 1) Attach JV30 Funnel Adaptor to Jet-Vac head. Ensure JV29 Gasket is sitting flat in JV30.
- 2) Attach JV32 Debris Bag to JV30 Funnel Adaptor.
- 3) Attach JV50 Disconnect Swivel at sweep hose end of feed hose onto Jet-Vac cleaner.
- 4) Place the Jet-Vac in pool, at furthest point from wall fitting.
- 5) Turn ON pool pump for at least 30 seconds to purge the air from the unit.
- 6) Turn ON booster pump. Remember, booster pump must only operate whilst pool pump is running.

***Congratulations, the Jet-Vac is now installed and operating.***

### JET-VAC OPERATION:

The feed hose for the Jet-Vac Pool Cleaner has been coiled in its box for a period of time. Once installed, the feed hose may try to coil up, causing the Jet-Vac to climb and fly around the pool.

To remove this "memory" from the feed hose it may be necessary to lay the entire hose out in the sun for a full day in a straight position. When doing this, also straighten out the Sweep Hose. This straightening of the hose should enable the Jet-Vac to travel more consistently on the pool floor and track steadier.

A different way to remove the memory from the coiled hose is to carefully pour hot water down the feed hose and lay out straight for an hour.

### To remove JV32 Bag & Lock Ring from Funnel Adaptor:

Position fingers as shown by putting thumb on one tab and finger on the other tab. Push in opposite directions to snap off.

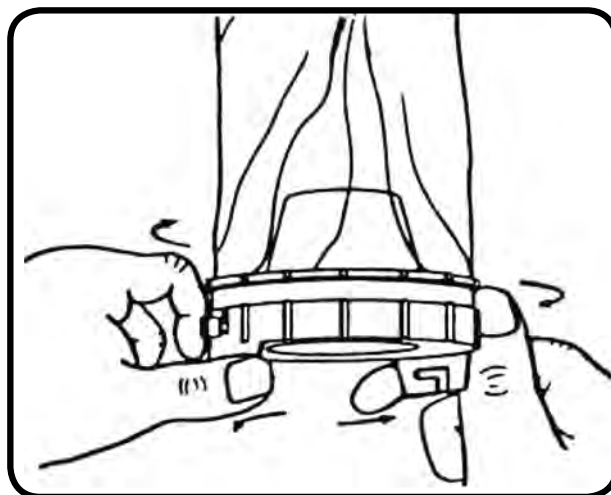
### CLEANING THE JET-VAC BAG:

Jet-Vac will quickly and efficiently pick up all kinds of debris that ends up on the pool floor. Check and empty the debris bag regularly. Failure to clean the bag may result in the bag becoming blocked, weighing down the Jet-Vac, causing damage and severely hampering its performance. Damage caused to the Jet-Vac due to improper maintenance is not covered under warranty.

To clean the bag: Remove the entire bag assembly (including funnel adaptor) from the Jet-Vac by twisting counter clockwise to release the snap-lock. To remove bag with locking ring from funnel adaptor, position finger as shown by putting thumb on one tab and finger on the other tab. Push in the opposite directions to unlock (see drawing below).

Empty debris from bag, and rinse clean with cold water. Next hold the funnel adaptor upside down and gently tap against a solid surface to dislodge the flexible funnel adaptor gasket. Rinse any debris from both sides of the gasket and the funnel adaptor. Press the gasket back into the funnel adaptor, fit the bag and lock ring in place. Lock the funnel adaptor onto the Jet-Vac, and it's ready to resume cleaning.

Jet-Vac is supplied with the JV32 Fine Debris Bag. This will collect all types of debris and is perfect for picking up fine materials. If your pool fills with tree branches and large twigs, then these may prematurely wear the material in the JV32 Fine Debris Bag. Therefore, it may be more suitable to use the JV31 Coarse Leaf Bag, which is made from a stronger and coarser material. Many Jet-Vac owners who have large leaf loads continually alternate between the Fine and the Coarse bags, one week using the JV32 and the next week using the JV31.



## **TROUBLESHOOTING:**

### **Initial Start-up Troubleshooting:**

Certain site-specific factors may influence the speed and performance of your newly-installed Jet-Vac. If your Jet-Vac is not working properly, first check that it has been installed correctly by reviewing the information on pages 2-5 of this document.

#### **A. Too fast?**

If your Jet-Vac is moving too fast, flying off the pool floor and climbing uncontrollably, then reduce the pressure at the wall fitting, refer to Diagram 1.

#### **B. Too slow?**

If your Jet-Vac is sluggish and not moving along the pool floor properly, then check and clean the pool filter, skimmer basket, pump basket, debris bag and wall fitting strainer. Ensure that both the pool pump and booster pump are operating correctly. Check that the JV50 Quick Disconnect is properly attached to the body of the Jet-Vac. Check and adjust the wall fitting if required, See Diagram 1.

If the Jet-Vac is still moving too slowly around the pool, then it is likely that there is not enough pressure being generated from the booster pump. Contact your local pool professional who can check the pressure by using the JVP8 Pressure Test Stick. Ideal pressure is 172-193 kpa (25-28 psi). See Diagram 3.

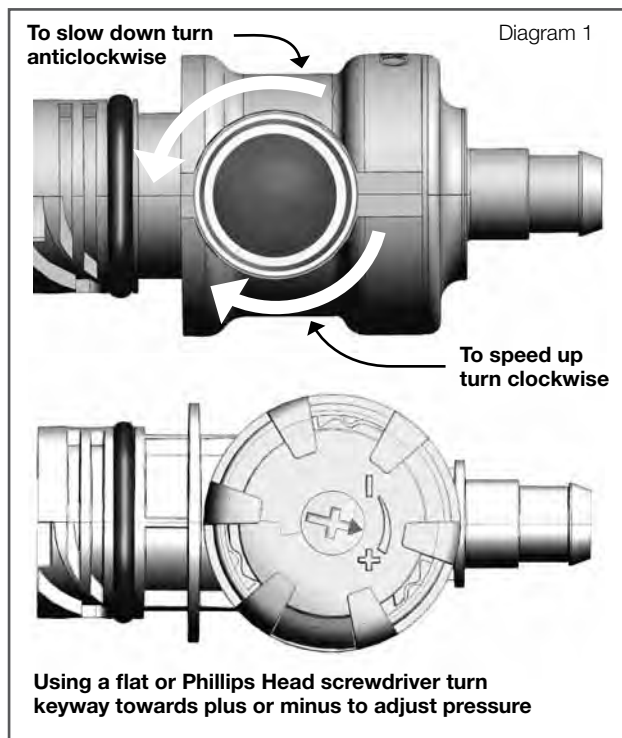


Diagram 3



## **GENERAL TROUBLESHOOTING**

Over time, if your Jet-Vac's performance diminishes please check the Regular Maintenance Checklist below.

### **JET-VAC REGULAR MAINTENANCE CHECK LIST:**

- Check and clean the wall fitting strainer regularly.
- Ensure that the booster pump timeclock is synchronised with the pool pump timeclock.
- Empty the debris bag regularly.
- Regularly check and lubricate the o-ring on the bayonet wall fitting.
- Remove funnel adaptor gasket and clean all fine debris and sand before re-connecting Jet-Vac bag.
- Check that the bearings/wheels are free spinning.
- When backwashing, make sure that the Jet-Vac wall fitting is completely disconnected.
- After backwashing, ensure that the supply line is completely flushed before re-connecting Jet-Vac.
- Stainless steel wheel should be 19mm (¾") off the ground.
- Check hose swivels and disconnect swivel for leaks and ease of rotation.
- Ensure that there are no holes in wall fitting strainer.
- Roller rings on sweep hose should be free spinning and not worn.
- The sweep hose should be flexible and swishing.
- Check for correct gearbox operation, this ensures that Jet-Vac will reverse properly.
- Make sure that any worn parts on the Jet-Vac are promptly replaced.
- When the Jet-Vac is not in use, ensure that it is not stored in a coiled-up position.

***Regular checking and maintenance of your Jet-Vac will help prevent premature wear and tear.***

**General Troubleshooting continued**

**Jet-Vac rises and glides above the pool floor?**

Check note A on page 6. Also ensure the height of the JV15 Stainless Steel Wheel is 1/2" - 3/4" (13mm-20mm) off the pool floor. Re-tighten the JV41 screw to ensure the JV9 Roller Arm is not loose. Lay the Jet-Vac feed hose out in the sun to remove memory from the feed hose.

**Jet-Vac slow or not moving?**

Check note B on page 6. Check the condition of wheels (tyres) and replace worn parts as necessary.

Tyres have a notch as a wear indicator. Tyres should be replaced when the notch is gone. Propulsion of the Jet-Vac can be hampered by a stiffened JV52 Sweep Hose. Sweep Hoses usually last 4-5 years before becoming stiff and ineffective due to pool chemicals. If so, replace the JV52 Sweep Hose.

Check for any damaged or leaking feed hoses and swivels and replace as necessary.

Grit may accumulate in the wheel bearings. Use a strong stream of water to spray the wheel bearings while forcefully rotating the wheels back and forth in both directions until they spin freely.

**Jet-Vac not reversing, getting stuck in corners?**

First, check all solutions above. Check for correct gear box operation by following instructions in "How does my Jet-Vac work?" on Page 8. Grit may have entered Jet-Vac's gear box. Remove JV5 Bottom Plate by following the instructions in "JV204 Internal Tune-Up Kit Installation Guide" (go to the "Tune-up Kit Installation" link at [http://www.jetvac.com.au/temp/image/jetvac\\_tuneup.pdf](http://www.jetvac.com.au/temp/image/jetvac_tuneup.pdf)

Clean grit from bottom plate and gears and re-assemble.

If cleaner still does not reverse, install a new JV204 Internal Tune Up Kit.

Each pool is different, and sometimes Jet-Vac does temporarily get snagged in sharp corners or steps. As long as Jet-Vac is able to reverse out of these obstructions, it will keep your pool clean. Adjust the angle of the JV12 Roller Arm up or down (by loosening the JV41, adjusting the angle, then re-tightening the JV41) to free your Jet-Vac from these obstructions.

**Hose tangles?**

Feed hose may be too long. Review the instructions on "Feeder Hose Assembly" to verify that the instructions were carefully followed. Check hose swivels to make sure they turn freely, and replace any that will not. Check JV57 Hose Floats for buoyancy, and replace faulty or worn floats.

**Cleaner stays in deep end and does not climb?**

Remove the JV12 Roller Arm from its current position on the blue body and re-fit it to the highest screw hole provision.

Remove the JV15 Stainless Steel wheel from its current position on the JV12 Roller Arm and re-fit it to the highest screw hole provision.

Angle the JV12 Roller Arm down so that the JV15 Stainless Steel wheel is just 13mm (1/2") off the pool floor.

**Your problem isn't mentioned here?**

Contact your local pool professional.

## How does my Jet-Vac work?

High pressure filtered water is pushed from the Booster Pump through the supply line, through the wall fitting and strainer, through the feed hose to the Jet-Vac. Some of the water is directed to the sweep hose before entering the Jet-Vac head. Water enters the Jet-Vac head and half is directed to the upward facing venturi jet, shooting water up into the bag and drawing in dirt and leaves. The other half is directed into either the Forwarding Pusher Jet to propel the cleaner forward or the Reversing Jets to make the cleaner reverse.

### **What makes my Jet-Vac go forward or reverse?**

There are ports and channels inside the white bottom plate.

**Forward:** When the forwarding port is open, the water is directed to the JV17 Pusher Jet Nozzle, providing the propulsion to push the Jet-Vac forward.

**Reverse:** The reversing port is divided into two segments. At the start of the reversing cycle, water is directed to the left side reversing jet, making the Jet-Vac reverse and rotate anti-clockwise. When the reversing port is fully open, equal amounts of water will be directed to the left and right reversing ports, allowing the Jet-Vac to reverse in a straight line. At the end of the reversing cycle, water is directed to the right side reversing jet, making the Jet-Vac reverse and rotate clockwise. The continual reversing and rotating of the Jet-Vac ensures the cleaner will not get caught or snagged in any spot for a significant length of time.

Check the correct operation of the gearbox by holding the Jet-Vac out of water whilst operating.

Watch the correct cycling of the water flow as described above.

**Hint:** Hold the cleaner upside down at water level to gain the best view. Hold the sweep hose from spraying everywhere.

### **What opens and closes the ports?**

The bottom JV7 Gear is the active gear in closing and opening the forwarding and reversing ports. The series of holes in the gears ensures that the forwarding port and the reversing ports cannot open at the same time or be closed at the same time. High pressure water enters the Jet-Vac head and spins the JV8 Propellor. The propellor engages the gears so that the bottom (active) gear moves the slowest. When the hole in the active gear lines up with a port, then water is directed through that port.

### **How long does my Jet-Vac go forward or reverse?**

Jet-Vac moves forward for approximately 3 minutes, then moves into its reversing mode. The reversing and rotating cycle lasts for approximately 45 seconds.

### **Summary:**

The venturi port always remains open, so that the Jet-Vac is always picking up debris regardless of whether it is in forward or reverse mode. No other pressure cleaner has this feature. When the Jet-Vac is in forward mode, no water should be exiting from the reversing jets. Likewise, when the Jet-Vac is in reverse mode, no water should be exiting the JV17 Pusher Jet Nozzle. This patented system is the most advanced, proven and reliable water management system available today.

### **Propulsion:**

Jet-Vac is propelled purely by water pressure. Jet-Vac does not need turbines, drive chains or belts.

### **Cleaning Action:**

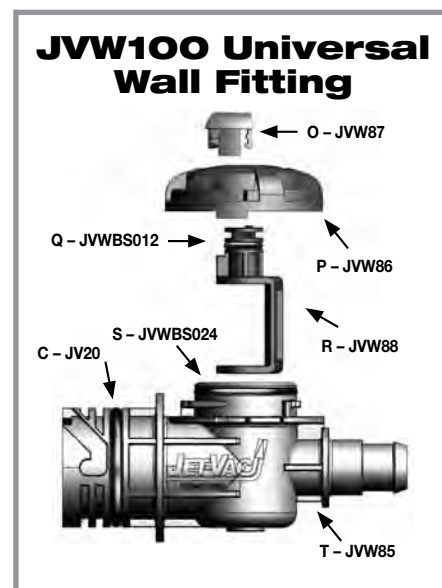
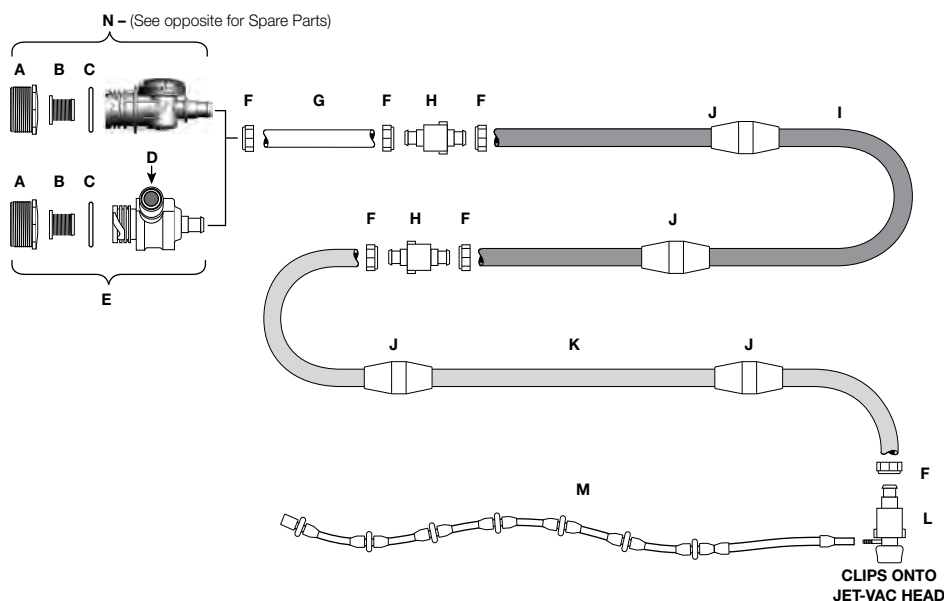
Jet-Vac picks up debris by using a venturi jet of water.

### **The Result:**

Advanced yet simplistic design that requires fewer moving parts, resulting in a reliable and robust automatic pool cleaning system.



## Jet-Vac Hose Diagram



ITEM	PART #	DESCRIPTION
A	JV23	Quick Disconnect Adaptor
B	JV24	Strainer Screen
C	JV20	O-Ring
D	JV25	Pressure Release Assembly
E	JVW22	Bayonet Wall Fitting Complete
F	JVD15P	Mender Nut
G	JV501	Starter Hose - White (0.6m)
H	JVD5	Swivel
I	JV502	Feed Hose - Dark Blue (4.2m)
J	JV57	Float

ITEM	PART #	DESCRIPTION
K	JV503	Feed Hose - Light Blue (4.9m)
L	JV50	Disconnect Swivel
M	JV52	Sweep Hose Complete
N	JVW100	Universal Wall Fitting Complete
O	JVW87	Wall Fitting Clip
P	JVW86	Wall Fitting Cap
Q	JVWBS012	O-Ring
R	JVW88	Wall Fitting Speed Valve
S	JVWBS024	O-Ring
T	JVW85	Wall Fitting Body

### VINYL LINER POOLS - ADJUSTMENTS:

Some vinyl pools have a steep incline from the deep end to the shallow end, some simple adjustments to the Jet-Vac will help it climb up into the shallow end of the pool.

Remove the transparent-blue nose wheel (part # JV13) by removing the Phillips screw and the plastic hub that the screw goes through. Turn the nose wheel upside down, with the flange end of the hub up, reinstall the screw into the hub securely. Check that it spins freely and does not fall off.

Remove the Phillips screw and nut that holds the stainless steel wheel (part # JV15) in place and reinstall in the lower mounting position.

Loosen, but do not remove, the Phillips screw that attaches the roller arm (part # JV12) to the Jet-Vac body. Place the Jet-Vac on a flat surface and adjust the roller arm angle so that the bottom of the stainless steel wheel (JV15) is 13mm (1/2") from the flat surface and tighten the Phillips screw securely.

Test the Jet-Vac in the pool to verify adjustments.

**Note:** In some cases it may be necessary to increase pressure to 186-200 KPA (27-29 PSI) for added thrust.

## JET-VAC PARTS LIST

PART #	DESCRIPTION
JVW1A	WALL FITTING COMPLETE W/ADJ
JVW2	STRAINER SCREEN FOR JVW1A
JV2	VENTURI SHELL
JV2B	DEFLECTOR PLATE ASSY
JV3	ADAPTOR
JV4	SHELL FLOAT
JV4B	FLOAT COVER BUTTON KIT
JV5	BOTTOM PLATE
JVD5	SWIVEL
JV6	PIN (FOR BOTTOM PLATE)
JV7	GEAR
JVF7	O' RING
JV8	PROPELLOR
JV9	SPACER
JVG10	SCREW
JV11	O'RING (SHELL)
JV12	ROLLER ARM
JV13	NOSE WHEEL
JV14	NOSE WHEEL HUB
JV15	STAINLESS STEEL WHEEL
JVD15P	MENDER NUT - PLASTIC
JV16	S/STEEL WHEEL HUB
JV17	PUSHER JET NOZZLE
JV18	O' RING
JV19	PUSHER JET NOZZLE HOLDER
JV20	O-RING FOR JVW22
JV21	WHEEL
JV22	WHEEL HUB
JVW100	UNIVERSAL WALL FITTING COMPLETE
JVW22	BAYONET WALL FITTING COMPLETE
JV23	QUICK DISCONNECT ADAPTOR
JV24	STRAINER SCREEN FOR JVW22
JVLL25	PRESSURE RELEASE ASSEMBLY - RED
JV28	QUICK DISCONNECT 16mm
JV29	GASKET FOR FUNNEL ADAPTOR
JV30	FUNNEL ADAPTOR
JV31	MESH BAG W/LOCK RING
JV32A	FINE BAG W/LOCK RING
LG35B	BEARING
JV40	SCREW
JV41	SCREW
JV42	NUT
JV43	SCREW
JV43S	SCREW
JV44	SCREW (PUSHER JET)

PART #	DESCRIPTION
JV45	NUT
JV46	SCREW (BOTTOM PLATE)
JV46S	SCREW
JV48	SCREW (BACK WHEELS)
JV49	TAIL MENDER
JV50	DISCONNECT SWIVEL
JV52	SWEEP HOSE COMPLETE
JV53	HOSE SLEEVE
JV54	ROLLER RING
JV55	HOSE JET COLLAR
JV56	HOSE JET
JV57	FEED HOSE FLOAT
JV61	LOCK WASHER
JV62	SIDE WHEEL COMPLETE
JV64	SIDE WHEEL
JV70	BRASS WEIGHT - LARGE
JV71	BRASS WEIGHT KIT (2 X SMALL)
JV501	STARTER HOSE (WHITE)
JV502	FEED HOSE 1ST SECTION (DARK BLUE)
JV503	FEED HOSE 2ND SECTION (LIGHT BLUE)

<b>JV204</b>	Internal Tune-Up Kit, comprises: 4 x JV7 Gears 1 x JV8 Propellor 3 x JV6 Pins 1 x JV9 Spacer
--------------	--

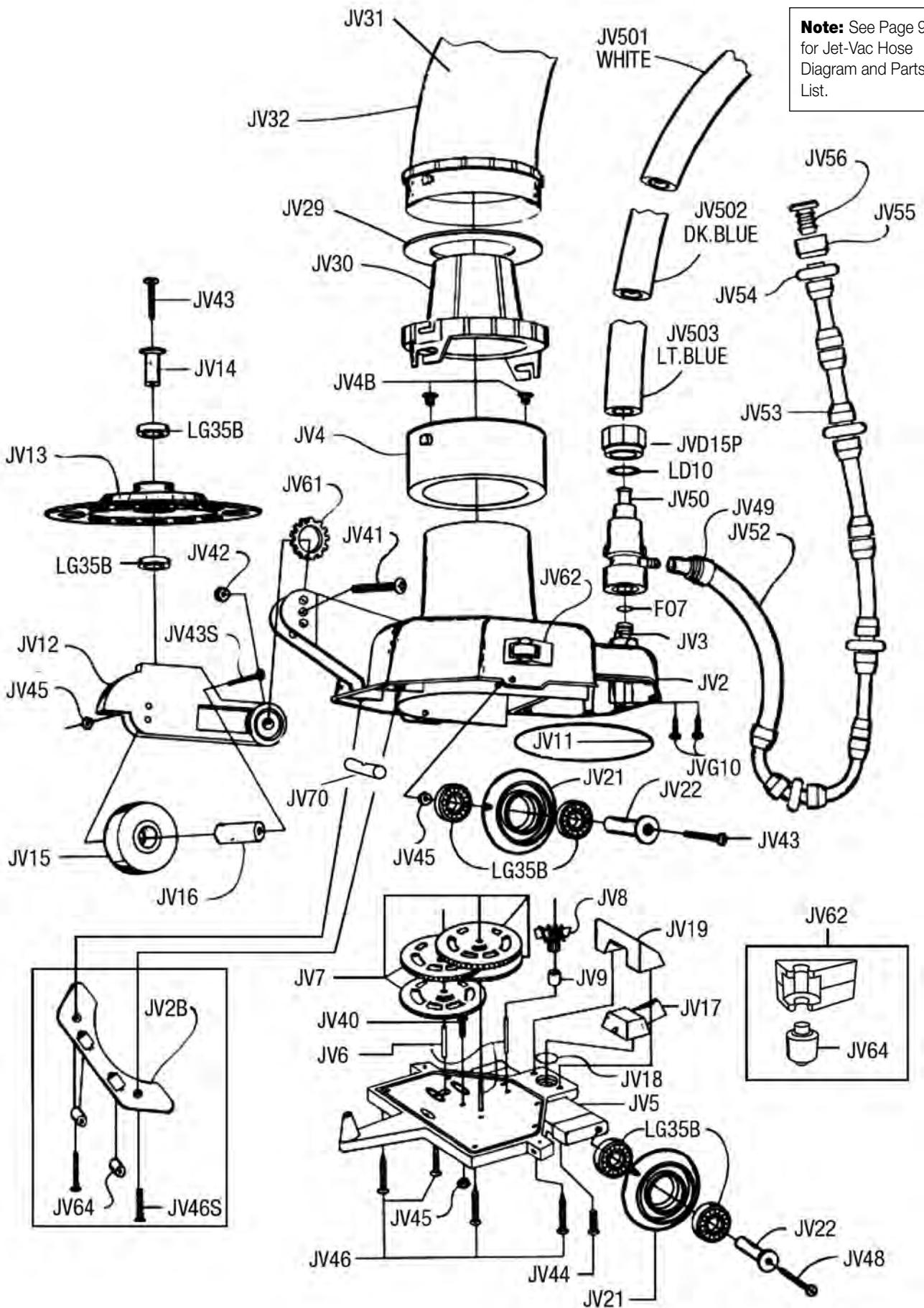
<b>JV207</b>	Wheel Kit, comprises: 1 x JV21 Wheel (Tyre) 2 x LG35B Bearings 1 x JV22 Wheel Hub
--------------	--

<b>JVP8</b>	Pressure Test Stick
-------------	---------------------

**Note:** See Page 9 for Jet-Vac Hose Diagram and Parts List.

# JET-VAC AUTOMATIC POOL CLEANER

**Note:** See Page 9 for Jet-Vac Hose Diagram and Parts List.



## JET-VAC WARRANTY

For full warranty conditions please refer to the Warranty Card enclosed with your new Jet-Vac which details the warranty registration procedure.

For your future reference, please record proof of purchase details here:

Serial Number: \_\_\_\_\_

S/N can be found in three places:  
on underside of the bottom plate of head unit; on original packaging; on the Warranty Card.

Purchased from: \_\_\_\_\_

Address: \_\_\_\_\_

\_\_\_\_\_

\_\_\_\_\_

Date of Purchase: \_\_\_\_/\_\_\_\_/\_\_\_\_

MADE IN AUSTRALIA BY

# AQUAQUIP

Automatic Pool Cleaners (Australia) Pty Ltd  
40 Percy Street, Auburn NSW 2144 Australia  
Ph: +61 2 9643 8338 Fax: +61 2 9643 8448

[www.aquaquip.com.au](http://www.aquaquip.com.au)

[www.jetvac.com.au](http://www.jetvac.com.au)