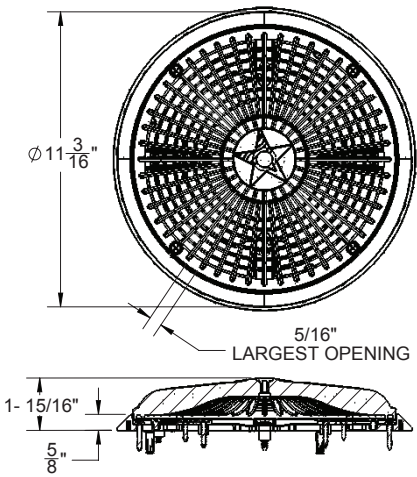


10" Star Anti-Entrapment Suction Outlet Cover with Universal Adapter Frame Installation Instructions

for up to 10" round retrofits or new construction,
 >>> no additional sump required <<<



READ AND FOLLOW ALL ACCOMPANYING GENERAL INSTALLATION INSTRUCTIONS

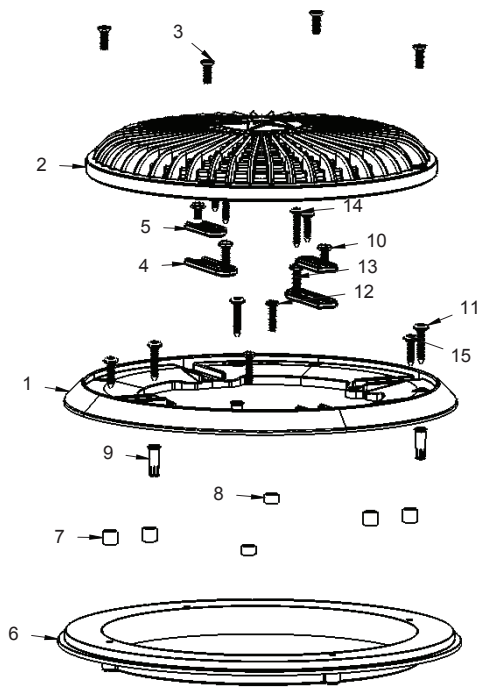


Model # A10RCFRxxx

Single –
 >>> **Sumless** <<<

Floor: 170 GPM at 1.7 fps
 Wall: 170 GPM at 1.7 fps

Floor/Wall:
 147.3 GPM at 1.5 fps
 31.5 square inch opening

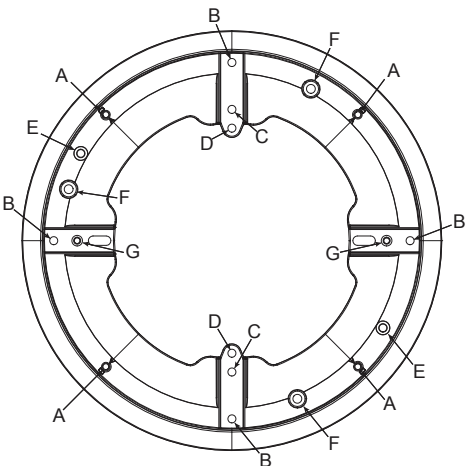


KIT INCLUDES:

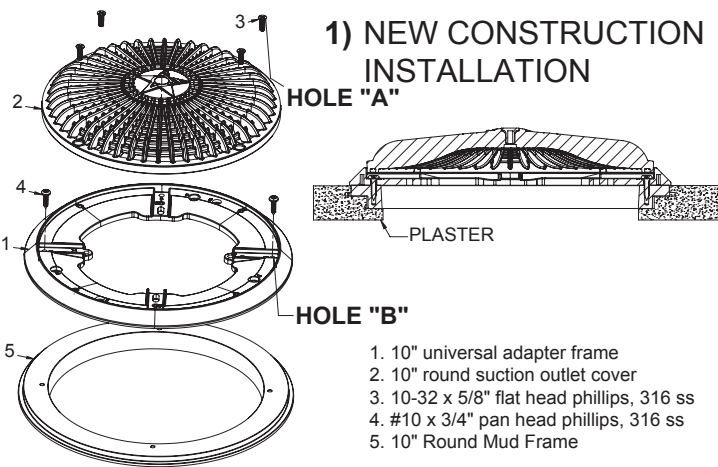
- 1. 10" universal adapter frame
- 2. 10" round suction outlet cover
- 3. 10-32 x 5/8"lg. Flat head phillips, 316 ss
- 4. Adjustable slide, long
- 5. Adjustable slide, short
- 6. 10" round mud frame
- 7. 3/8" bushing
- 8. 1/4" bushing
- 9. 1/4" concrete anchor
- 10. 10-32 x 5/16" lg. Pan head phillips, 316 ss
- 11. #10 x 1" lg. Pan head phillips, 316 ss
- 12. 8-32 x 3/4" lg. Pan head phillips, 316 ss
- 13. 10-24 x 7/8" lg. Pan head phillips, 316 ss
- 14. #8 x 1" lg. Pan head phillips, 316 ss
- 15. #10 x 3/4" Pan head phillips, 316 ss
- 16. #8 x 3/4"lg. Pan head phillips, 316 ss

*Not all screws & hardware used for all installations. See installation instructions.

UNIVERSAL ADAPTER FRAME INSTALLATION SUMMARY

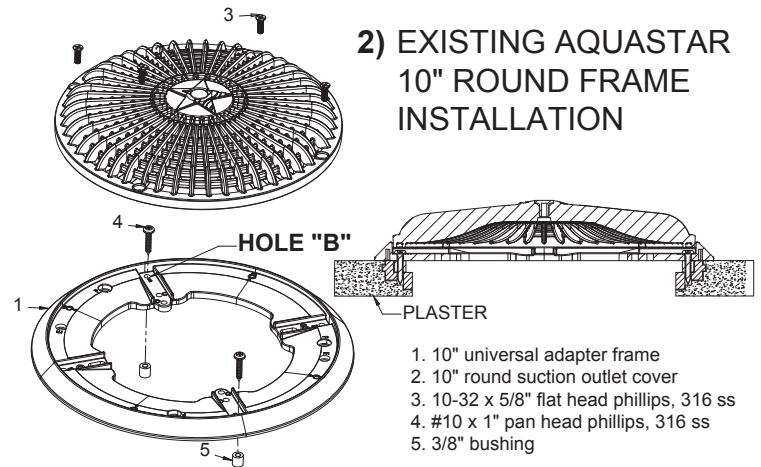


HOLE	APPLICATION	SCREW	QTY
A	MOUNTS DRAIN COVER TO ACCOMPANYING AQUASTAR 10" UNIVERSAL ADAPTER FRAME	10-32 X 5/8" FLAT HEAD PHILLIPS, 316 SS	4
B	MOUNTS 10" UNIVERSAL ADAPTER FRAME TO ACCOMPANYING 10" ROUND AQUASTAR MUD FRAME	#10 X 1" PAN HEAD PHILLIPS, 316 SS	2
C	MOUNTS 10" UNIVERSAL ADAPTER FRAME TO 8" ROUND AQUASTAR MUD FRAME	#10 X 1" PAN HEAD PHILLIPS, 316 SS	2
D	MOUNTS 10" UNIVERSAL ADAPTER FRAME TO 8" SUPER LOW PROFILE ROUND AQUASTAR FRAME	#10 X 3/4" PAN HEAD PHILLIPS, 316 SS	2
E	MOUNTS 10" UNIVERSAL ADAPTER FRAME TO WATERWAY 10" ROUND FRAME	8-32 X 3/4" PAN HEAD PHILLIPS, 316 SS	2
F	PLASTER INSTALL (WITH ANCHORS) OR MOUNTS 10" UNIVERSAL ADAPTER FRAME TO PARAMOUNT SDX FRAME	#10 X 1" PAN HEAD PHILLIPS, 316 SS	3
G	SLIDER RETENTION FOR UNIVERSAL RETROFITS	10-32 X 5/16" PAN HEAD PHILLIPS, 316 SS	2



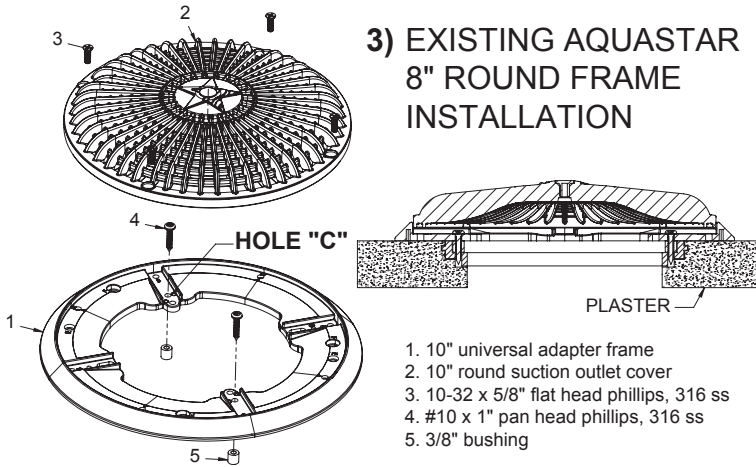
1) NEW CONSTRUCTION INSTALLATION

1. 10" universal adapter frame
2. 10" round suction outlet cover
3. 10-32 x 5/8" flat head phillips, 316 ss
4. #10 x 3/4" pan head phillips, 316 ss
5. 10" Round Mud Frame



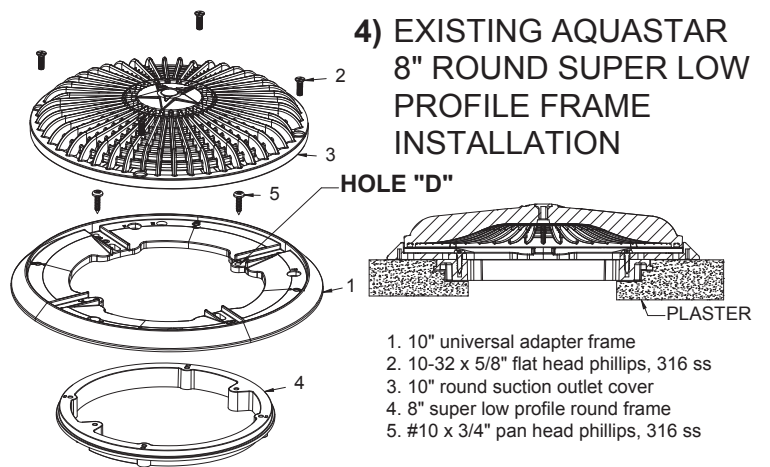
2) EXISTING AQUASTAR 10" ROUND FRAME INSTALLATION

1. 10" universal adapter frame
2. 10" round suction outlet cover
3. 10-32 x 5/8" flat head phillips, 316 ss
4. #10 x 1" pan head phillips, 316 ss
5. 3/8" bushing



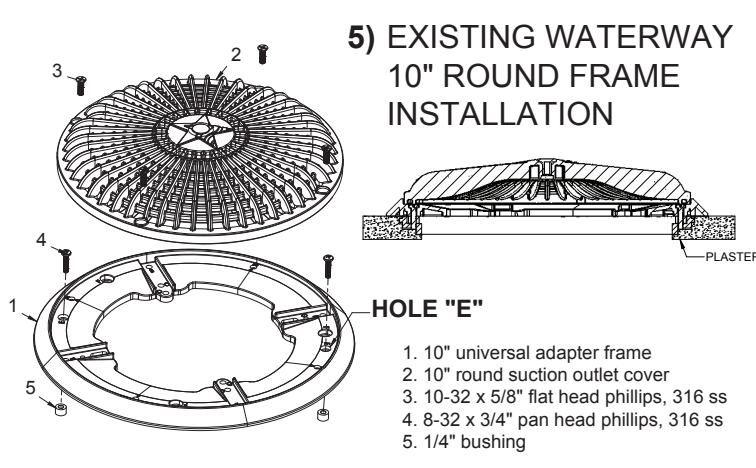
3) EXISTING AQUASTAR 8" ROUND FRAME INSTALLATION

1. 10" universal adapter frame
2. 10" round suction outlet cover
3. 10-32 x 5/8" flat head phillips, 316 ss
4. #10 x 1" pan head phillips, 316 ss
5. 3/8" bushing



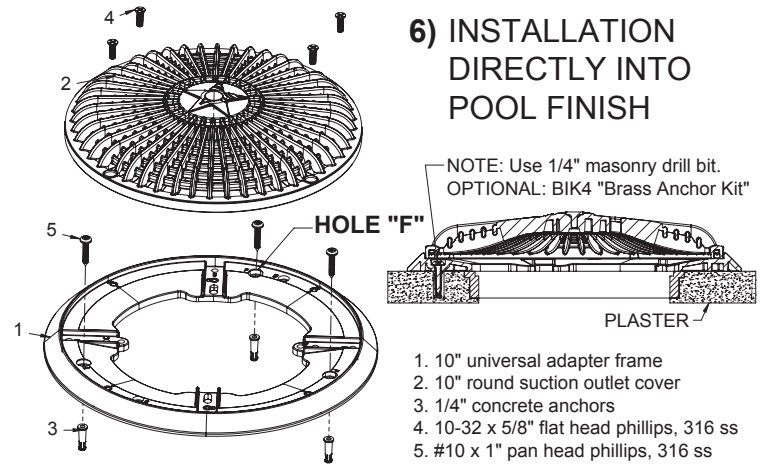
4) EXISTING AQUASTAR 8" ROUND SUPER LOW PROFILE FRAME INSTALLATION

1. 10" universal adapter frame
2. 10-32 x 5/8" flat head phillips, 316 ss
3. 10" round suction outlet cover
4. 8" super low profile round frame
5. #10 x 3/4" pan head phillips, 316 ss



5) EXISTING WATERWAY 10" ROUND FRAME INSTALLATION

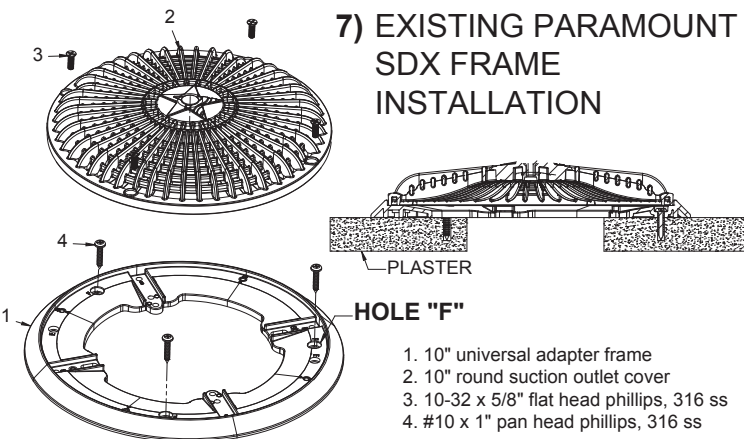
1. 10" universal adapter frame
2. 10" round suction outlet cover
3. 10-32 x 5/8" flat head phillips, 316 ss
4. 8-32 x 3/4" pan head phillips, 316 ss
5. 1/4" bushing



6) INSTALLATION DIRECTLY INTO POOL FINISH

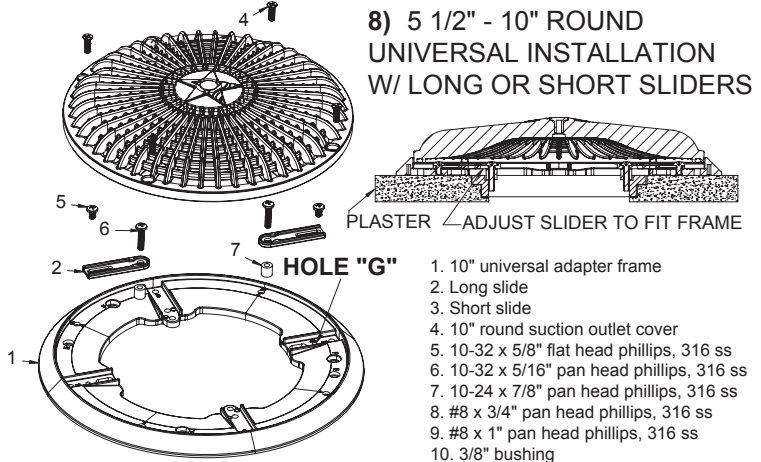
NOTE: Use 1/4" masonry drill bit.
OPTIONAL: BIK4 "Brass Anchor Kit"

1. 10" universal adapter frame
2. 10" round suction outlet cover
3. 1/4" concrete anchors
4. 10-32 x 5/8" flat head phillips, 316 ss
5. #10 x 1" pan head phillips, 316 ss



7) EXISTING PARAMOUNT SDX FRAME INSTALLATION

1. 10" universal adapter frame
2. 10" round suction outlet cover
3. 10-32 x 5/8" flat head phillips, 316 ss
4. #10 x 1" pan head phillips, 316 ss



8) 5 1/2" - 10" ROUND UNIVERSAL INSTALLATION W/ LONG OR SHORT SLIDERS

PLASTER ADJUST SLIDER TO FIT FRAME

1. 10" universal adapter frame
2. Long slide
3. Short slide
4. 10" round suction outlet cover
5. 10-32 x 5/8" flat head phillips, 316 ss
6. 10-32 x 5/16" pan head phillips, 316 ss
7. 10-24 x 7/8" pan head phillips, 316 ss
8. #8 x 3/4" pan head phillips, 316 ss
9. #8 x 1" pan head phillips, 316 ss
10. 3/8" bushing