

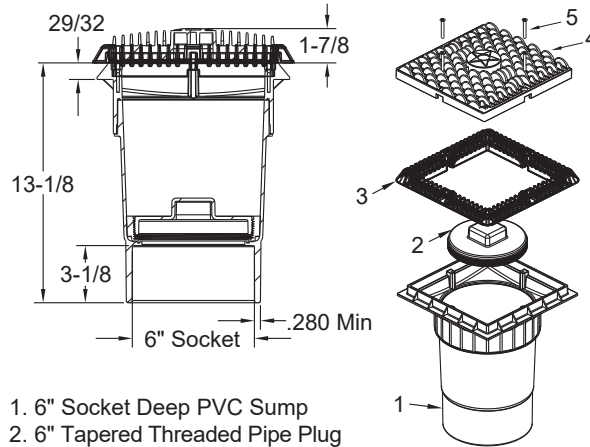
6" Socket Deep PVC Sump

NSF

Certified to
NSF/ANSI/CAN 50
ANSI/APSP/ICC-16 2017

Open Area
48.4 in²

For SOFA Specific Flow Ratings and
specifications please scan QR code or visit
www.aquastarpoolproducts.com/flowcode



1. 6" Socket Deep PVC Sump
2. 6" Tapered Threaded Pipe Plug
3. 9" Square Vented Riser Ring
4. 9" Square "Wave" Suction Outlet Cover
5. 10 x 1-3/4" Flat Head Phillips, 316 SS, Qty 4

Part #
WAV9WRxxxF
2 per case

3" Socket x 4" Spigot Side Port PVC Sump

NSF

Certified to
NSF/ANSI/CAN 50
ANSI/APSP/ICC-16 2017

Open Area
48.4 in²

For SOFA Specific Flow Ratings and
specifications please scan QR code or visit
www.aquastarpoolproducts.com/flowcode



NEW Hassle-free pressure testing
and winterizing

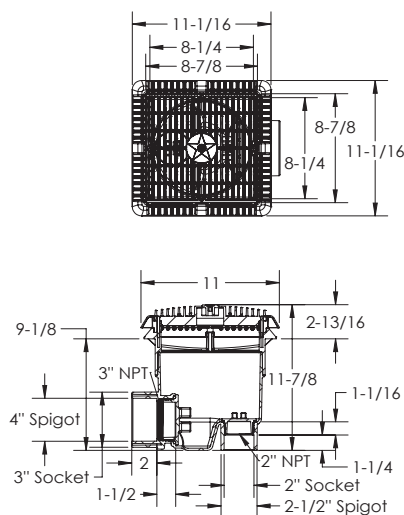


Hassle-free pressure testing and winterizing
Comes with a 3" and 2" NPT cap with O-ring.
No knock-outs required.

Optional 2" hydrostatic relief valve available p/n HV101

Part #
WAV9WRxxxSSB
1 per case

2" Plug and O-Ring, p/n 2SBP101
3" Plug and O-Ring, p/n 3SBP101



1. Side Port Sump Bucket, 9" Square Frame
2. 2" Plug O-Ring
3. 2" NPT Plug
4. 3" Plug O-Ring
5. 3" NPT Plug
6. 9" Square Riser Ring
7. 9" Square "Wave" Suction Outlet Cover
8. 10 x 13/4" Flat Head Phillips, 316 SS, Qty 4