

FLOWSTAR® SKIMMER WITH NARROW 9" DEEP THROAT, FLOAT ASSEMBLY, BASKET, LID, ADJUSTABLE COLLAR FOR VINYL AND FIBERGLASS

Built in conformance with NSF 50 and SPS 3 standards

FEATURES

Designed for commercial and residential use, 15 GPM min, 90 GPM max
 For steel and polymer vinyl wall applications and fiberglass
 Includes stainless steel hardware for all applications
 Adjustable collar
 Weir clip lock secures the clips in the weir door
 Large self-contained basket with lock-in feature (will not float)
 Pre-installed O-ring for float assembly
 Underwater dampers on the faceplate for noise reduction on weir plate – especially on windy days
 Super strong engineered polymer upper housing
 Extra heavy-duty PVC lower unit (does not require transitional glue)
 2½" outside slip; 2" inside slip (outside skimmer)
 2" threads for pressure testing (inside skimmer)
 Built-in overflow or fill line knock-out
 Upper housing has pre-cut rebar cutouts with pre-drilled holes for tie wire
 Additional box inside skimmer for a basket, float assembly and weir plate (so assembly does not get lost on job site)
 Skimmer Lid and Collar G154 UV tested
 Optional custom name/logo engraved on the lid (requires minimum 500 piece lid order)
 Designed to work with all existing vinyl liner pool walls
 1 per case

Two additional lid options available (sold separately):
 square or snap-in round/square



Comes with easy clip spacers for steel wall applications

Part # SKRVFL3Nxxx

STANDARD COLORS

- SKRVFL3N101 – White
- SKRVFL3N103 – Light Gray
- SKRVFL3N105 – Dark Gray

Snap-in Round/Square Lid and Collar (sold separately) p/n SK65xxx

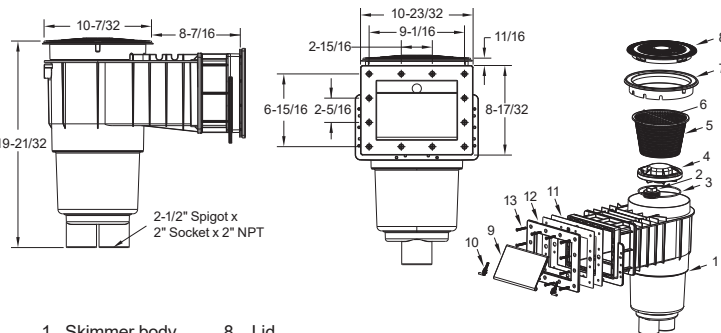
Without lid/collar – white only
 p/n SKRVFL3NNL01 (vinyl with float assembly)

Also available with square lid and collar
 p/n SKRVFL364Nxxx

Also available bonded with square lid and collar
 p/n SKRVFL364NxxxB

(second color code for lid color)
 See page 129 for bonded option

NOTICE: For NSF certified skimmers, please contact your AquaStar Sales Representative. Lid, float valve, 4" socket, and 6" socket options are not NSF certified.



1. Skimmer body
2. 2" Port Plug
3. O-Ring
4. Float Assembly
5. Basket
6. Skimmer Basket
7. Collar
8. Lid
9. Weir Assembly
10. Weir Clip, Qty 2
11. Gasket, Extender 9" And 12", Qty 2
12. Face Frame, Extender 9" And 12"
13. 12 x 1-3/4" Flat Head Phillips, 316 SS, Qty 12

Also Included
 14. Decorative Cover

P 877-768-2717 F 877-276-POOL Outside the US: P +1-949-336-1940 F +1-949-336-1940
 info@aquastarpoolproducts.com www.aquastarpoolproducts.com

ADDITIONAL PRODUCT CONFIGURATIONS FOR SKRVFL3NXXX

9" Ultra Basket

Designed for commercial and residential use, 15 GPM min, 90 GPM max

Available 2" Socket Dual-Port, 4" Socket, 6" Socket, and Water Bonded

Example: SKRVFL3N101D-L= White Flow Star® Skimmer with 4" Socket Sump and 9" Ultra Basket

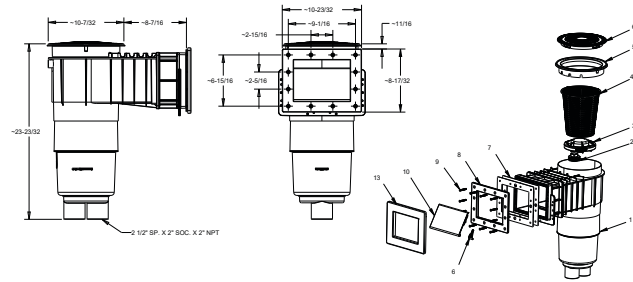
1 per case

STANDARD COLORS

- SKRVFL3N101-L – White
- SKRVFL3N103-L – Light Gray
- SKRVFL3N105-L – Dark Gray



Part #
SKRVFL3Nxxx-L



1. Deep Skimmer Body
2. 2" NPT Port Plug
3. Float Assembly
4. 9" Ultra Skimmer Basket
5. Skimmer Collar
6. Skimmer Lid
7. Gasket Extender 9" And 12", Qty 2
8. Face Frame, Extender 9" And 12"
9. 12 x 1-3/4 Flat Head Phillips, 316 SS, Qty 12
10. Weir Door Assembly
11. Weir Door Clips
12. Decorative Cover

Water Bonded

Designed for commercial and residential use, 15 GPM min, 90 GPM max

Bonding plate and copper wire connection meet NEC section 680.2 C.

Conforms to UL 1081, UL 1563, CAN/CSA-C22.2

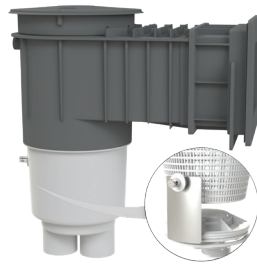
Bonding plate is safely placed behind the skimmer basket, for constant water contact, even when the pump is off

1 per case

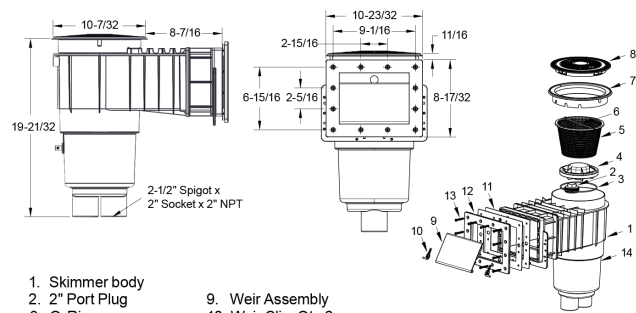
Also available with square lid and collar p/n SKRVFL364NxxxB (second color code for lid color)

STANDARD COLORS

- 101
- 103
- 105



Standard 9" Ultra Basket
Part # SKRVFL18xxx Part # SKRVFL18xxx-L



1. Skimmer body
2. 2" Port Plug
3. O-Ring
4. Float Assembly
5. Basket
6. Skimmer Basket Rod
7. Collar
8. Lid
9. Weir Assembly
10. Weir Clip, Qty 2
11. Gasket, Extender 9" And 12", Qty 2
12. Face Frame, Extender 9" And 12"
13. 12 x 1-3/4" Flat Head Phillips, 316 SS, Qty 12
14. Bonding Plate Assembly

ADDITIONAL PORT CONFIGURATIONS FOR SKRVFL3NXXX, SKRVFL3NXXX-L, SKRVFL18XXX, AND SKRVFL18XX-L

4" Socket Sump

Extra heavy duty PVC lower unit (no transitional glue required)

Standard
Part # SKRVFL3NxxxD

9" Ultra Basket
Part # SKRVFL3NxxxD-L



1 per case

6" Socket Sump

Extra heavy duty PVC lower unit (no transitional glue required)

Standard
Part # SKRVFL3NxxxF

9" Ultra Basket
Part # SKRVFL3NxxxF-L



1 per case

VINYL BUILDER'S KITS - STANDARD MOUTH SKIMMER WITH THREE-PIECE DECORATIVE FITTINGS



Convenient kits for vinyl pools and spas



ITEM DESCRIPTIONS

8MFSBVxxx

8" MoFlow cover with vinyl ABS sump bucket

VGBA certified dual drain system, visit www.aquastarpoolproducts.com/flowcode for specifications

32CDFLVxxx

32" Channel Drain Flat Grate Suction Outlet Cover and ABS Three-Port Manufactured Sump for Vinyl

VGBA certified unblockable system, visit www.aquastarpoolproducts.com/flowcode for specifications

SKRVFL364Nxxx

Flow Star skimmer with narrow 9" deep throat, flow assembly, basket, lid and adjustable collar

Designed for commercial and residential use, 15 GPM min, 90 GPM max

SKRVFL364NxxxB

Flow Star bonded skimmer with narrow 9" deep throat, flow assembly, basket, lid and adjustable collar

Designed for commercial and residential use, 15 GPM min, 90 GPM max

SECxxx

3" skimmer extension collar

ES1408SLxx

4-Screw Vinyl Fitting with 1½" Socket

DCxxx

Three-Piece Decorative Cover

STANDARD COLORS

- 01 - White
- 03 - Light Gray
- 05 - Dark Gray



VGBA Dual Drain System



Standard

Standard Skimmer Kit

- 8MFSBVxxx – qty 2
- SKRVFL364Nxxx – qty 1
- SECxxx – qty 1
- ES1408SLxx – qty 3
- DCxxx – qty 3

Part # VBK12xx
1 per case

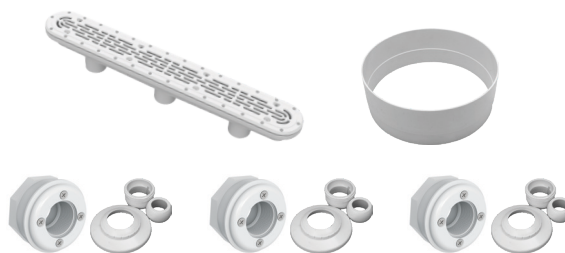
Standard Bonded Skimmer Kit

- 8MFSBVxxx – qty 2
- SKRVFL364NxxxB – qty 1
- SECxxx – qty 1
- ES1408SLxx – qty 3
- DCxxx – qty 3

Part # VBK16xx
1 per case



VGBA Single-Unblockable Drain System



Standard

Standard Skimmer Kit

- 32CDFLVxxx – qty 1
- SKRVFL364Nxxx – qty 1
- SECxxx – qty 1
- ES1408SLxx – qty 3
- DCxxx – qty 3

Part # VBK13xx
1 per case

Standard Bonded Skimmer Kit

- 32CDFLVxxx – qty 1
- SKRVFL364NxxxB – qty 1
- SECxxx – qty 1
- ES1408SLxx – qty 3
- DCxxx – qty 3

Part # VBK17xx
1 per case

VINYL BUILDER'S KITS - STANDARD MOUTH SKIMMER WITH FLUSH EYEBALL KITS



Convenient kits for vinyl pools and spas



ITEM DESCRIPTIONS

8MFSBVxxx

8" MoFlow cover with vinyl ABS sump bucket

VGBA certified dual drain system, visit www.aquastarpoolproducts.com/flowcode for specifications

32CDFLVxxx

32" Channel Drain Flat Grate Suction Outlet Cover and ABS Three-Port Manufactured Sump for Vinyl

VGBA certified unblockable system, visit www.aquastarpoolproducts.com/flowcode for specifications

SKRVFL364Nxxx

Flow Star skimmer with narrow 9" deep throat, flow assembly, basket, lid and adjustable collar

Designed for commercial and residential use, 15 GPM min, 90 GPM max

SKRVFL364NxxxB

Flow Star bonded skimmer with narrow 9" deep throat, flow assembly, basket, lid and adjustable collar

Designed for commercial and residential use, 15 GPM min, 90 GPM max

SECxxx

3" skimmer extension collar

ES1408SLxx

4-Screw Vinyl Fitting with 1½" Socket

JOxxx

Flush Retrofit eyeball

STANDARD COLORS

- 01 - White
- 03 - Light Gray
- 05 - Dark Gray



VGBA Dual Drain System



Standard Skimmer Kit

- 8MFSBVxxx – qty 2
- SKRVFL364Nxxx – qty 1
- SECxxx – qty 1
- ES1408SLxx – qty 3
- JOxxx – qty 3

Part # VBK4xx
1 per case

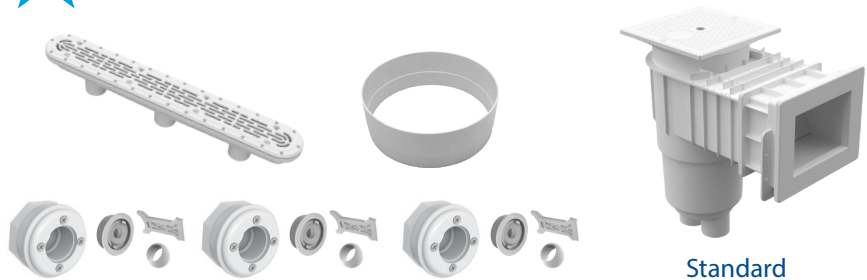
Standard Bonded Skimmer Kit

- 8MFSBVxxx – qty 2
- SKRVFL364NxxxB – qty 1
- SECxxx – qty 1
- ES1408SLxx – qty 3
- JOxxx – qty 3

Part # VBK8xx
1 per case



VGBA Single-Unblockable Drain System



Standard Skimmer Kit

- 32CDFLVxxx – qty 1
- SKRVFL364Nxxx – qty 1
- SECxxx – qty 1
- ES1408SLxx – qty 3
- JOxxx – qty 3

Part # VBK5xx
1 per case

Standard Bonded Skimmer Kit

- 32CDFLVxxx – qty 1
- SKRVFL364NxxxB – qty 1
- SECxxx – qty 1
- ES1408SLxx – qty 3
- JOxxx – qty 3

Part # VBK9xx
1 per case

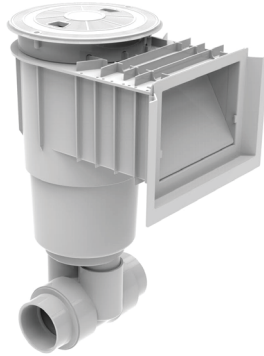
SKIMMER ACCESSORIES

STANDARD COLORS 101 102 103 105 108

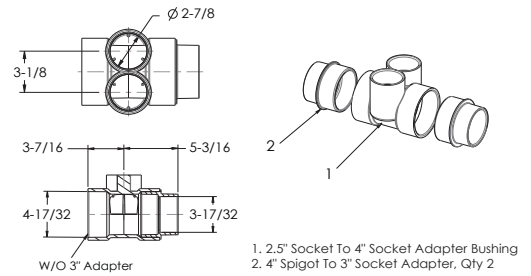
Adaptor Bushing

FEATURES

Eliminates the need to reduce down 4" or 3" plumbing when connecting to a skimmer with a dual-port PVC sump
 Converts two 2½" spigot to 4" or 3" T
 Includes two 4" x 3" reducer bushings
 Shown as an example only – parts are sold separately
 1 per case



Part # SKR1xx with BFB101



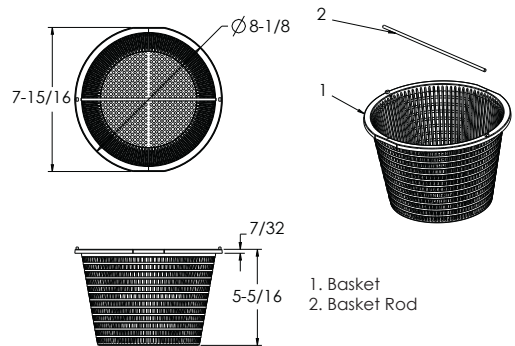
Skimmer Basket

FEATURES

Polypropylene basket locks in to remain in place during on and off pump cycles
 Fits all standard skimmers
 50 per case



Part # SK6



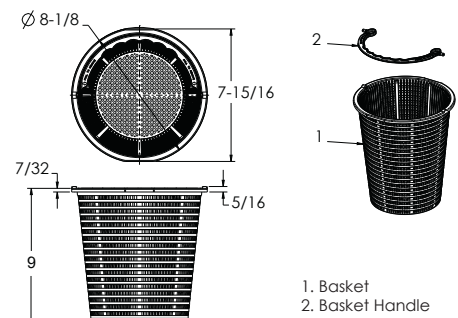
9" Ultra Skimmer Basket

FEATURES

9" polypropylene Ultra Basket locks in to remain in place during on and off pump cycles
 Fits all 9" Ultra Basket models
 50 per case



Part # SK96



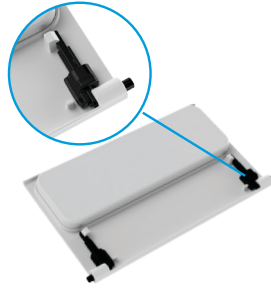
SKIMMER ACCESSORIES

STANDARD COLORS 101 102 103 105 108

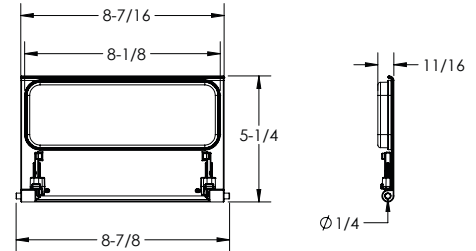
Weir Plate Assembly for Standard & Vinyl/Fiberglass Skimmers

FEATURES

Includes weir clip locks to secure weir clips in place
Also available only weir clips, part # SK902
24 per case



Part # SKWDxxx



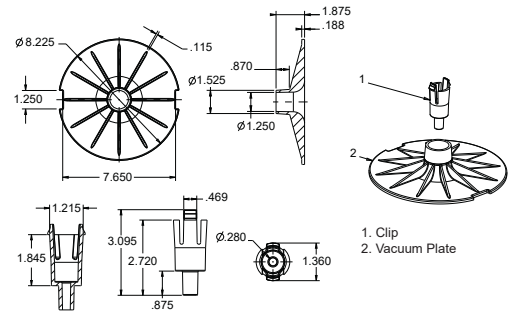
Vacuum Plate

FEATURES

Snaps under skimmer lid for easy storage
White only
25 per case



Part # SK43101



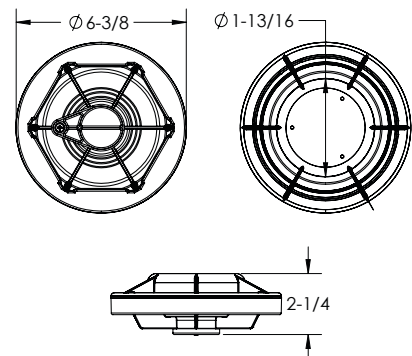
Float Assembly

FEATURES

Includes O-ring gasket and flow adjustment flap
White only
24 per case



Part # SKFL101



SKIMMER ACCESSORIES

STANDARD COLORS 101 102 103 105 108

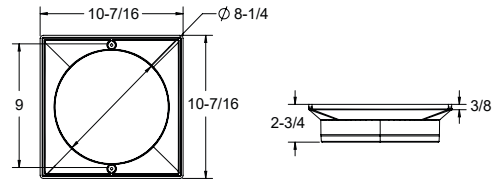
Square Skimmer Collar

FEATURES

Adjustable collar levels out uneven surfaces
Fits AquaStar and most standard skimmers=
6 per case



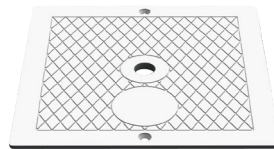
Part # SK61xxx



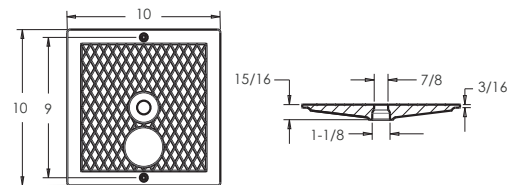
Square Skimmer Lid

FEATURES

UV tested to latest standard
Optional custom name/logo insert p/n SK63xxxA (minimum 500-piece order)
Fits AquaStar and most standard square skimmer collars
24 per case



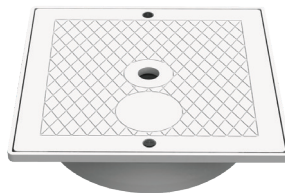
Part # SK63xxx



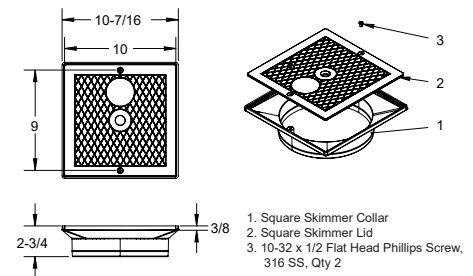
Square Skimmer Lid and Collar

FEATURES

UV tested to latest standard features
Optional custom name/logo insert p/n SK64xxxA (minimum 500 piece order)
Fits AquaStar and most standard skimmers
6 per case



Part # SK64xxx



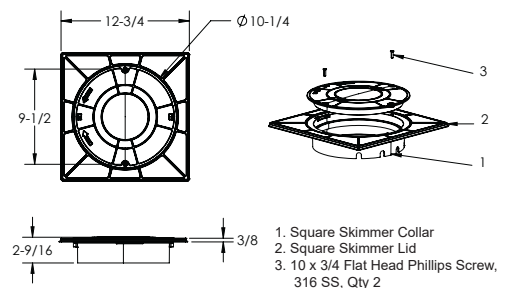
Round/Square Snap-in Lid and Collar

FEATURES

Round lid snaps into square housing
UV tested to latest standard
Optional custom name/logo insert p/n SK65xxxA (minimum 500-piece order)
Fits AquaStar and most standard skimmers
8 per case



Part # SK65xxx



SKIMMER ACCESSORIES

STANDARD COLORS 101 102 103 105 108

Round Skimmer Lid

FEATURES

UV tested to latest standard

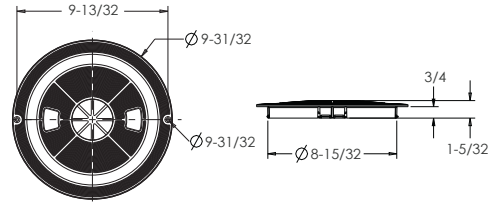
Optional custom name/
logo insert p/n RTxxxA
(min 500 piece order)

Fits AquaStar and most standard round
skimmer collars

25 per case



Part # RTxxx



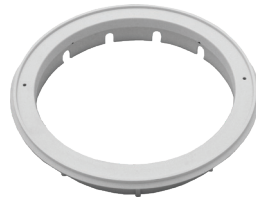
Adjustable Round Skimmer Collar

FEATURES

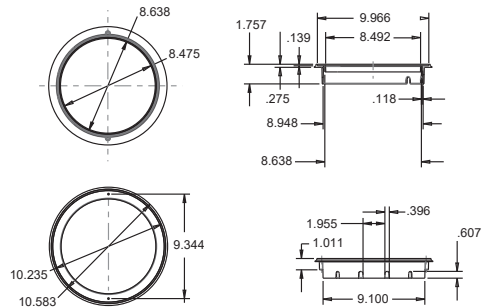
Adjustable collar levels
out uneven surfaces

Fits AquaStar and most standard
skimmers

20 per case



Part # SK5xxx



Round Skimmer Lid and Collar

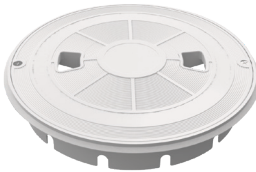
FEATURES

UV tested to latest standard

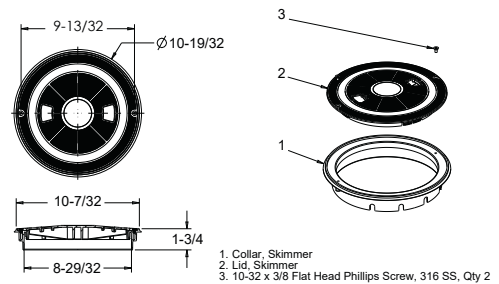
Optional custom name/logo insert p/n
SKRTxxxA (min 500 piece order)

Fits AquaStar and most standard
skimmers

25 per case



Part # SKRTxxx



3" Skimmer Extension Collar

FEATURES

Stack multiple collars to reach desired
deck or bond beam height

Fits into AquaStar and most standard
round skimmer collars

20 per case



Part # SECxxx

