

MAHC-I SERIES 18" X 36" EXPANSION KIT WITH TWO 9" X 18" RETROFIT ANTI-ENTRAPMENT SUCTION OUTLET COVERS



The AquaStar line of suction outlet covers, compliant with the Virginia Graeme-Baker Pool and Spa Safety Act (ANSI/APSP 16-2011 and NSF/ANSI 50-2009a)

FEATURES

For use with the R1836xxx only.

Visit www.aquastarpoolproducts.com for ANSI/APSP-16 flow ratings, VGB Certification documentation.

Single-

Floor/Wall 837 GPM at 1.5 fps
Floor/Wall 558 GPM at 1.0 fps

179.04 square inch opening

#316 Stainless steel screws, with brass inserts and brass concrete anchors

The MAHC-I Series retrofit expansion kit grating inside the 18" x 36" base system to increase drain size to retrofit 18" x 54", 18" x 72", or any drain size large than 18" x 36"

Trademarked VGB compliance button easily identifies VGB 2008 compliant cover from on deck and underwater

Manufactured from superior UV-resistant engineered polymer

Replace 9" x 18" grates and support every five years from the date of installation.

1 per case

NEW

Retrofit Expansion Kit

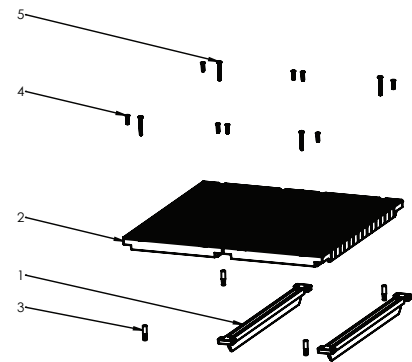
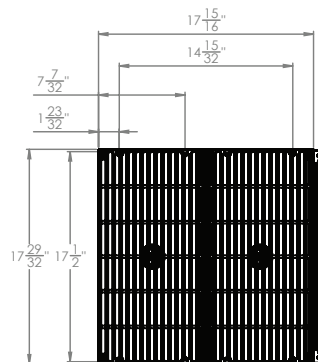


Fits: Lawson Aquatics 18" x 54" using R1836xxx, Qty 1 and R1836Exxx, Qty 1
Lawson Aquatics 18" x 72" using R1836xxx, Qty 1 and R1836Exxx, Qty 2

Part # R1836Exxx

STANDARD COLORS

- R1836101 – White
- R1836102 – Black
- R1836103 – Light Gray
- R1836104 – Blue
- R1836105 – Dark Gray
- R1836108 – Tan



1. 18" Support Bar, Qty 2
2. 9" x 18" Suction Outlet Cover, Qty 2
3. 10-32 Brass Concrete Anchor, Qty 4
4. 10-32 x 3/4" Flat Head Phillips, Qty 8
5. 10-32 x 1-1/4" Pan Head Phillips, Qty 4