

PIPELINE PUMPS® 1.5 HORSEPOWER PUMP



High-Efficiency Full-Featured Pumps



FEATURES

- Permanent Magnet Motor (PMM) drive system
- Total Enclosed Fan Cool (TEFC)
- Four programmable speeds from 800 to 3400 RPM
- Noise reduction vibration dampening rubber insert
- Base model does not include WiFi compatibility or RS485 communication port. Smart model includes WiFi compatibility and RS485 communication port
- RS485 communication port compatible with Jandy® and Pentair® controllers using the Pipeline Pump Translator, p/n PLCM100 (see page 164)
- Automation capability programmable start and stop times
- Integrated 2½" and 2" (socket) pump union connection
- Ergonomic lid handles with quick-release quarter-turn 4-point locking lid
- High-capacity self-aligning HDPE ultra-durable basket
- High-efficiency volute design
- 1 per case

NEW

PIPELINE PUMPS®

HIGH-EFFICIENCY FULL-FEATURED PUMPS

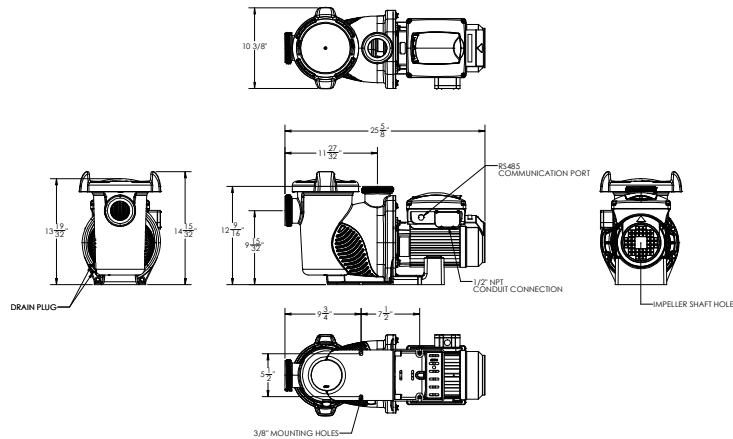


WiFi compatible through phone app



Patent pending

Part #
 PLP150B - 1.5 HP, Variable Speed, Base Model
 PLP150S - 1.5 HP, Variable Speed, Smart Model



Pentair® and Jandy® are registered trademarks of Pentair Flow Services AG and Zodiac Pool Systems, LLC., respectively
 U.S. Patents Pending

P 877-768-2717 F 877-276-POOL Outside the US: P +1-949-336-1940 F +1-949-336-1940
 info@aquastarpoolproducts.com www.aquastarpoolproducts.com