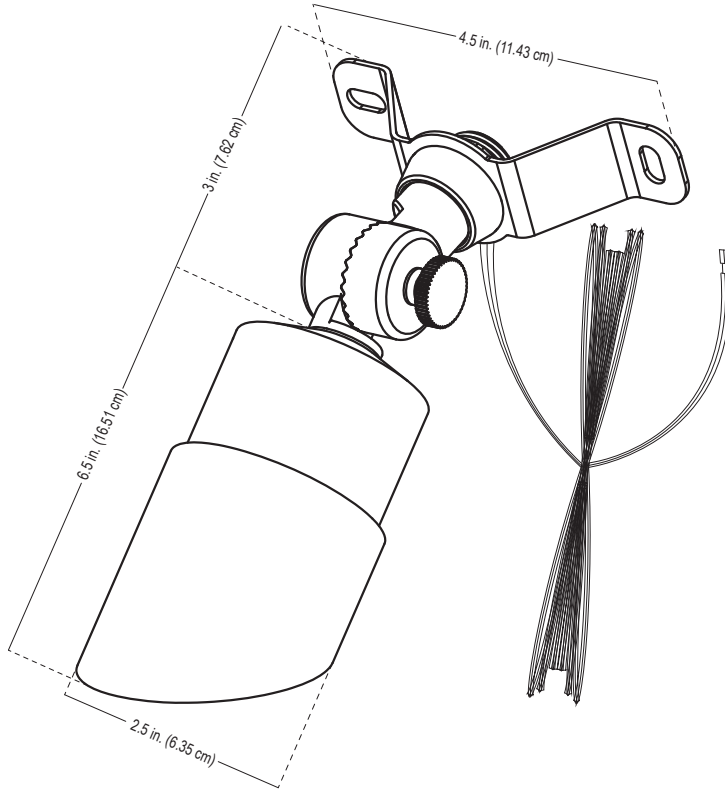


ALLIANCE

Specification Sheet

Model: DL100 (MR16 Down Light)

Fixture Height: 6.5 in. (16.51 cm)
 Fixture Width: 2.5 in. (6.35 cm)
 Base Height: 3 in. (7.62 cm)
 Base Width: 4.5 in. (11.43 cm)



Notes:

Project:
Type:

Specifications and Features:

- Body:** Brass fixture, aged brass finish
- Knuckle:** Solid brass knuckle with dial adjustment
- Shroud:** Brass shroud with rubber gasket
- Socket:** Spring loaded ceramic bi-pin socket with dual contact and lamp clips
- Wire:** 25' Foot wire lead, 16 awg (UL listed), brown, Pre-connected to the fixture, Pre-stripped for easy wire connection
- Bracket:** Solid brass mounting bracket, aged brass finish
- Mounting Nut:** Brass mounting nut for precise adjustment
- Hardware:** Mounting screws
- Warranty:** Lifetime warranty on fixture housing
- Certification:** Complies with the requirements of UL-1838 and CAN/CSA-C22.2 No. 250.7. Identified with the ETL and cETL Listed Mark.



Lamp Options

Model #	Base Type	Angle	Wattage	Lumen Output
LMR16-LED-4W-NS	MR16	15°	4w	250lm
LMR16-LED-4W-F	MR16	45°	4w	250lm
LMR16-LED-4W-WF	MR16	60°	4w	250lm
LMR16-LED-5W-NS	MR16	15°	5w	310lm
LMR16-LED-5W-F	MR16	45°	5w	310lm
LMR16-LED-5W-WF	MR16	60°	5w	310lm
LMR16-LED-6W-F	MR16	45°	6w	400lm
LMR16-35-36-XH (Halogen)	MR16	45°	35w	310lm

LED Ordering Guide: Model-Lamp Wattage-Lamp Angle
 Example:DL100-LED-5W-F

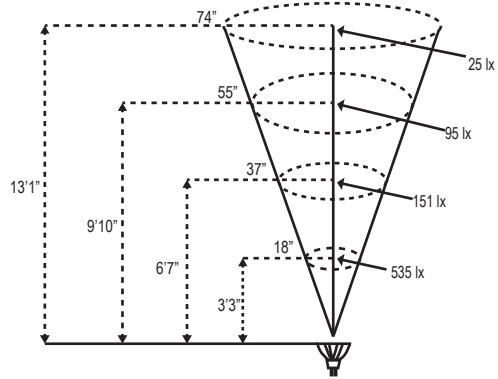
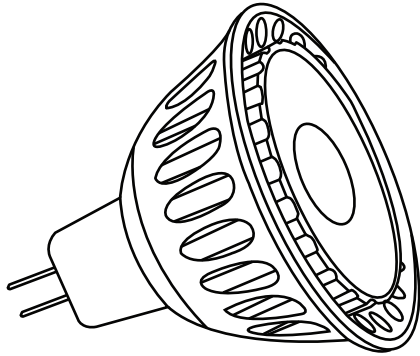
Accessories Available:

Mounting Accessories:
RMB - Round Mounting Base

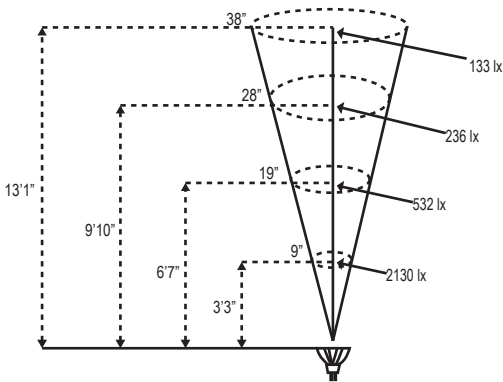
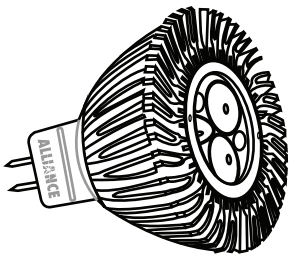
Project:
Type:

MR16 LED Photometric Comparisons

LMR16-LED-6W-F

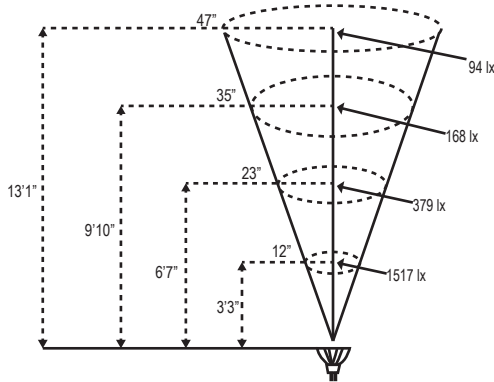
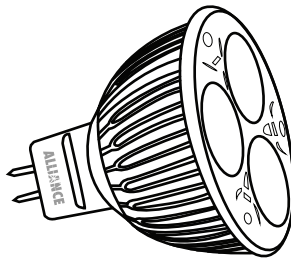


LMR16-LED-5W-NS

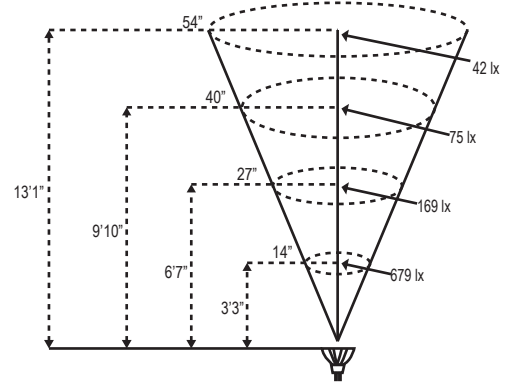
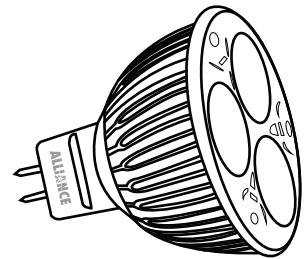


LMR16-LED-5W-F

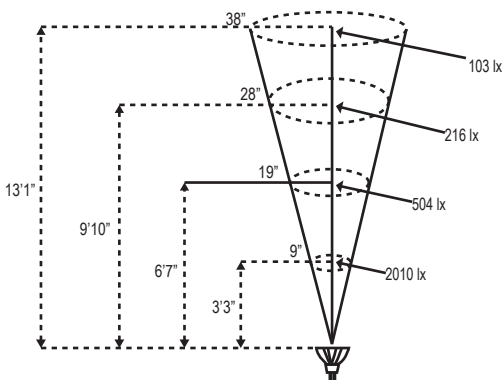
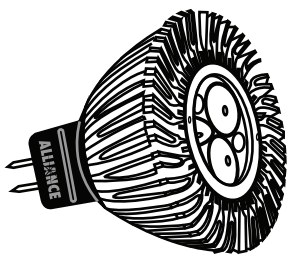
(also available in Blue, Red, Green and Amber)



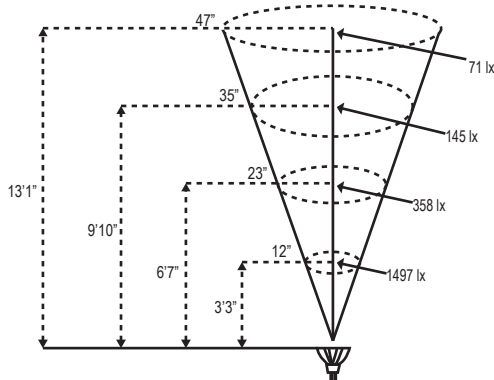
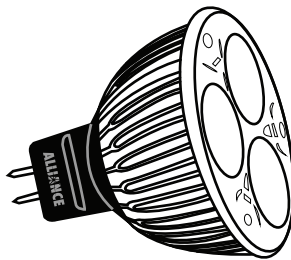
LMR16-LED-5W-WF



LMR16-LED-4W-NS



LMR16-LED-4W-F



LMR16-LED-4W-WF

