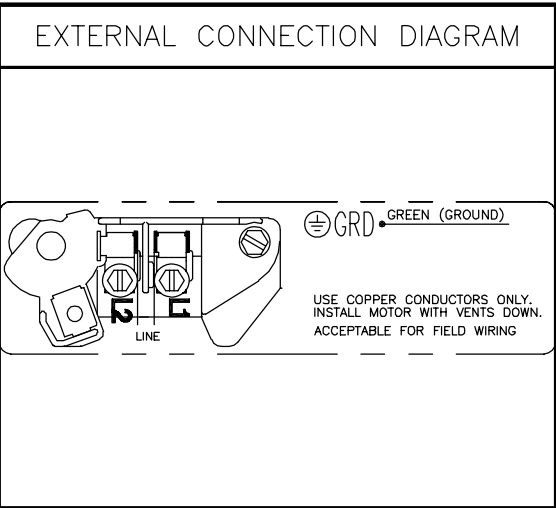
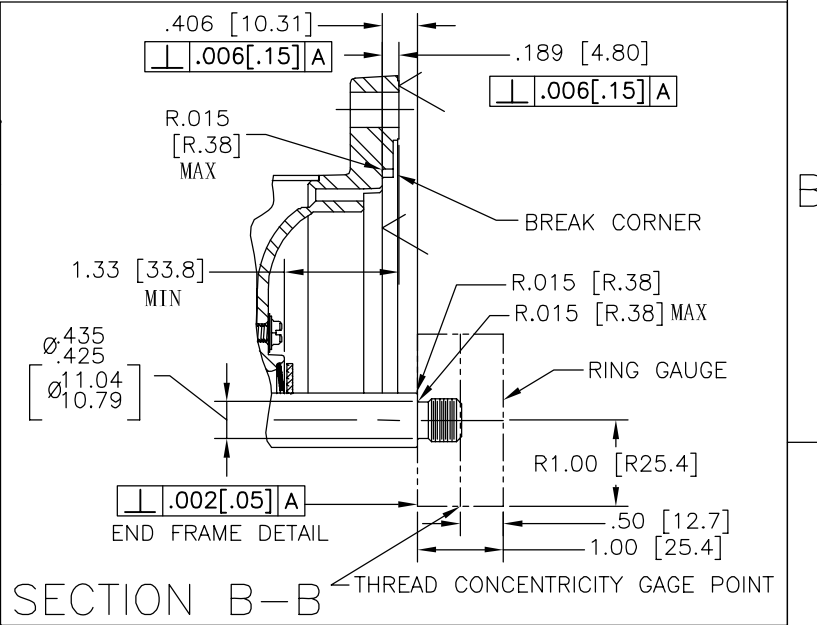


NAMEPLATE DATA	
MODEL: K48N2PA105C4	
CUST PN: SQ1202	
HP: 2.0	SF: 1.3
ROT: CCWPE	
RPM: 3450	
TYPE: UAK	CODE: H
FORM:	FRAME: 48 Y
VOLTS: 230	
AMPS:	
MAX AMPS: 11.2	
SF AMPS: -	
PH: 1	HZ: 60
INS: B	AMB: 50°C
DUTY: CONT	
ENCLOSURE: ODP	
THERMALLY PROTECTED	



- NOTES
1. FINISH PAINT TO BE SATIN BLACK.
  2. .44 [11.2] WRENCH FLATS ON SHAFT-FOR ACCESS TO THIS WRENCH FLAT REMOVE END COVER.
  3. STAINLESS STEEL SHAFT EXT.
  4. LIMITS ON AMPLITUDE OF VIBRATION MEASURED AT BEARING HOUSING = .001.
  5. CAPAC. HOUSING TO BE LOCATED WITHIN ±2.5' OF VERTICAL  $\phi$  OF END FRAME (P.E.).



PERFORMANCE CURVE	APPROVED SAMPLE		
K48N2W1			
UL COMPONENT	CSA		
FILE#	CCN#	FILE#	GUIDE#
E25022	XEWR2	LR43341	4211-01
CUSTOMER	DISTRIBUTION SERVICES		

DRAWING REVISION	REVISION BY	DATE	TOLERANCES UNLESS OTHERWISE SPECIFIED	DRAWN BY:
G	F.NAVARRO	02-28-2014	DEC. INCH mm ANGLE	JLG
ECO	APPROVED BY	DATE	.X ±0.1 [±2.5] ±0.5°	DATE:
0045866	G.ALVIDREZ	02-28-2014	.XX ±0.02 [±0.51]	05-12-2009
ECO DESCRIPTION			.XXX ±0.005 [±0.127]	APPROVED BY:
			.XXXX ±0.0005 [±0.0127]	
<small>COPYRIGHT REGAL BELOIT AMERICA, INC. ALL RIGHTS RESERVED. PROPRIETARY AND CONFIDENTIAL INFORMATION - THIS DOCUMENT IS THE PROPERTY OF REGAL BELOIT AMERICA, INC. (OWNER) AND CONTAINS OWNER'S PROPRIETARY INFORMATION. ANY PERSON, CORPORATION OR OTHER FIRM RECEIVING IT IS DEEMED, BY RECEIVING IT, TO AGREE THAT IT, AND/OR ANY PART OF IT, SHALL NOT BE DISCLOSED TO ANY PERSON, CORPORATION OR OTHER ENTITY, DUPLICATED, AND/OR USED, EXCEPT AS EXPRESSLY APPROVED IN WRITING IN ADVANCE BY OWNER. THIS DOCUMENT SHALL BE RETURNED TO OWNER UPON REQUEST. IT MAY BE SUBJECT TO CERTAIN RESTRICTIONS UNDER APPLICABLE EXPORT CONTROL LAWS AND REGULATIONS.</small>			REMOVE BURRS & BREAK SHARP EDGES .003/.015 [0.076/.381] CORNER/FILLET .02 [0.51] MACHINED SURFACES $\frac{125}{\text{INCH}}$ $\frac{3.2}{\text{mm}}$ SHOWN IN [BRACKETS]	REGAL Regal Beloit America, Inc. DESCRIPTION: MODEL-PFHP-48FR OUTLINE MATERIAL: SIZE DWG NO: SQ1202 SHEET: 1