



211 North Lindbergh Blvd.
 St. Louis, MO 63141
 800.231.1327 tel. | 314.754.0835 fax
specify@anovafurnishings.com
anovafurnishings.com

F1180— Victory 4' Expanded Steel Flat Bench, Wall Mount

4' expanded steel flat bench with traditional edge and wall mount brackets

Material

The flat bench is 48.25" long and made of 3/4 #9 expanded steel with a diamond shape pattern and traditional edge. Brackets are .25" thick steel. Bench is designed to be mounted to a wall for saving space. Mounting hardware not included.

Finish

Expanded steel bench seat is protected by the patented Fusion Advantage™ finish. The plastisol coating has an average thickness of .125" and is encapsulated with a richly tinted, high performance powder coating that won't rust, fade, peel, chip, crack, mold or mildew. The finish has been tested to the requirements of ASTM E1354 and determined to be in compliance with California Uniform Fire Code 1103.2.1.4.2.

Fade-resistant, powder coated frame/brackets feature a state-of-the-art primer proven to prevent rusting. Treated components exceed the industry standard by 34% in testing by independent sources.

Color

See website or sales representative for color choices.

Assembly

The bench requires some assembly. Stainless steel assembly hardware is included.

Maintenance

The product is virtually maintenance-free and requires only periodic cleaning with a sponge and a solution of mild detergent and water to remove surface dirt. Do not clean with solvent or petroleum base products.

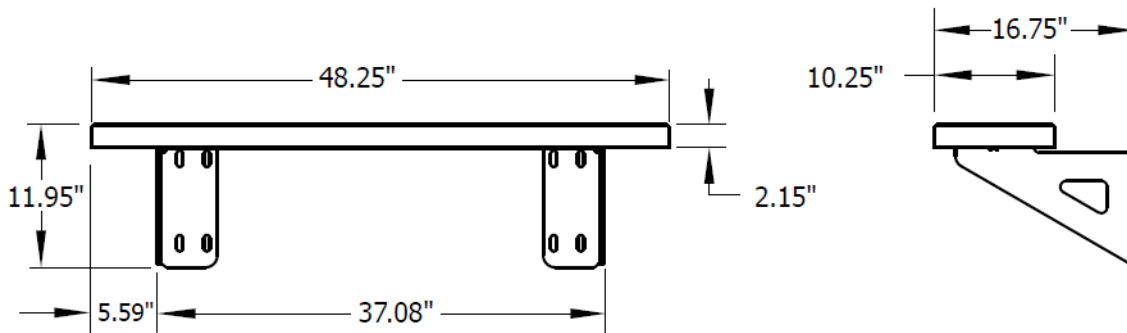
Warranty

20-year limited structural warranty with 7-year finish warranty from the date of purchase. See full details on multi-year warranties for components at www.anovafurnishings.com/warranty.aspx.



Accessories

Skateboard Deterrent/Single A1001
 Skateboard Deterrent/Set of 2 A1002



17.00 - 19.00" TYPICAL ADULT SEAT HEIGHT

SHIPPING INFORMATION

Unit Weight	Unit Shipping Wt. UPS	Unit Shipping Wt. Truck (1+ Units)	Unit Ship Size w/Pallet	Max Units Per Pallet	Pallet Size/Wt. (32" X 48")	Total No. Pkgs.	Shipping Class
43 lbs.	N/A	48 lbs./unit	10 cu. ft.	10	100 lbs.	2	70