



211 North Lindbergh Blvd.

St. Louis, MO 63141

888.535.5005 tel

314.754.0835 fax

specify@anovafurnishings.com

anovafurnishings.com



F1080
TRI1080
PICNIC TABLE
46" square expanded steel picnic table with 4 flat bench seats, traditional edge, inground mount

Material

The table is 46.25" square and features four flat bench seats. The table top and seats are 3/4 #9 expanded steel with a diamond pattern and feature a traditional edge. Table top and seats are protected by Fusion Advantage™, a plastisol coating with an average .125" thickness and a high-gloss powder coat. The table also features a 1.50" diameter umbrella hole in the center. The table top is designed to support 100 lbs per square foot and the seats will support 200 lbs per linear foot.

The seat supports are made of 2.38" O.D. steel tubing protected by a fade resistant powder coat finish featuring a state of the art primer proven to prevent rusting. The frame is a 4" square tube, also with a fade resistant powder coat finish and state of the art primer. It is designed to be mounted 26.06" deep for a sturdy support.

Finish

Fusion Advantage is a heat fused plastisol coating that creates an impervious rustproof barrier and resists UV deterioration, mildew, staining and fading.

The finish has been tested to the requirements of ASTM E1354 and is determined to be in compliance with California Uniform Fire Code 1103.2.1.4.2.

A state of the art primer is applied to all of the under supports, providing extreme rust fighting protection and durability. Treated components exceed the industry standard by 34% in testing by independent sources.

Color

See website or sales representative for color choices.

Accessories

8' Umbrella
 9' Umbrella

7LPU
 9LPU

Assembly

Table requires some assembly. Stainless steel assembly hardware is included. The inground mounting requires site preparation and construction of a temporary support.

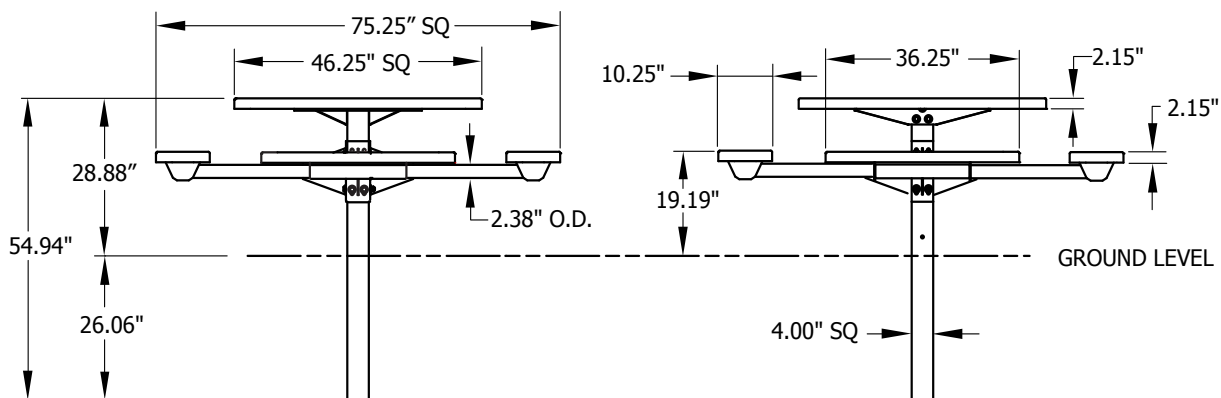
TRI1080 model includes tamper resistant and stainless steel assembly hardware.

Maintenance

The product is virtually maintenance-free and requires only periodic cleaning with a sponge and a solution of mild detergent and water to remove surface dirt. Do not clean with solvent or petroleum based products.

Warranty

20-year limited structural warranty with 7-year finish warranty from the date of purchase. See full details on multi-year warranties for components at www.anovafurnishings.com/warranty.aspx.



Shipping Information

| Unit Wt. | Unit Shipping Wt. UPS | Unit Shipping Wt. Truck (1+ Units) | Unit Ship Size w/Pallet | Max Units per Pallet | Pallet Wt. (48" x 48") | Total No. Pkgs | Shipping Class |
|----------|-----------------------|------------------------------------|-------------------------|----------------------|------------------------|----------------|----------------|
| 260 lbs | N/A | 277 lbs/unit | 43 cu. ft. | 3 | 50 lbs | 4 | 70 |