

AMERLITE® UNDERWATER LIGHT

INSTALLATION INSTRUCTIONS IMPORTANT SAFETY INSTRUCTIONS *READ AND FOLLOW ALL INSTRUCTIONS* SAVE THESE INSTRUCTIONS

Contents

SECTION I.	Installing light fixture during new pool construction	3
SECTION II.	Replacing light fixture in existing pool	4
SECTION III.	Replacing a lamp only	5
SECTION IV.	Amerlite Parts Breakdown	7
SECCIÓN I.	Instalación del accesorio para lámpara durante la construcción de una piscina nueva	11
SECTION I.	Installation de l'appareil d'éclairage lors de la construction d'une nouvelle piscine	19

Índice

SECCIÓN I.	Instalación del accesorio para lámpara durante la construcción de una piscina nueva	11
------------	---	----

DANGER

Risk of Electrical Shock or Electrocution



This underwater light must be installed by a licensed or certified electrician in accordance with the National Electrical Code and all applicable local codes and ordinances. Improper installation will create an electrical hazard which could result in death or serious injury to pool users, installer, or others due to electrical shock, and may also cause damage to property. Read and follow the specific instructions below.

WARNING

Before installing this product, read and follow all warning notices and instructions which are included. Failure to follow safety warnings and instructions can result in severe injury, death, or property damage. Call (800) 831-7133 for additional free copies of this manual.

Important Notice



Attention Installer.

This manual contains important information about the installation, operation and safe use of this product. This information should be given to the owner/operator of this equipment.

PRODUCT LABELING: Certain product labeling has been provided in French and Spanish.

Install these labels over the corresponding English text label if the personnel operating or servicing the product is fluent in either of these languages.

If more than one language is spoken by personnel operating or servicing this equipment, then install the additional labels of the required language adjacent to the English text label. If insufficient space is available on the product to install multiple labels, then these labels should be placed on a placard or sign and posted near the equipment where it is visible to all who operate or service this equipment.

Before installing the label, remove all dirt or grease from the surface that the labels will be installed upon using a mild detergent solution.

⚠ DANGER! Risk of Electrical Shock or Electrocution!



This product must be installed by a licensed or certified electrician or a qualified pool serviceman in accordance with the National Electrical Code and all applicable local codes and ordinances. Improper installation will create an electrical hazard which could result in death --- or serious injury to pool users, installers or others due to electrical shock, and may also cause damage to property. Always disconnect the power to the pool light at the circuit breaker before servicing the light. Failure to do so could result in death or serious injury to serviceman, pool users or others due to electrical shock. READ AND FOLLOW ALL INSTRUCTIONS IN THIS MANUAL.

⚠ WARNING — Important Safety Information for Pentair Niche and Light Installation

- All Niche and Light installations must conform with all codes. If local codes mandate a cord seal, use Pentair plastic niches (P/N 79206600 and P/N 79206700).
- Under no circumstances replace lights by splicing wire under water or behind niche.

⚠ WARNING — RISK OF ELECTRIC SHOCK AND INJURY - USE ONLY THE INSTALLATION METHOD SPECIFIED BELOW.

Important Safety Information for Fountain Fixture Installations

Location of Luminaire (Light) Use	Pentair Fountain Fixture* (P/N 560000 – P/N 560001) (P/N 560002 – P/N 560003)	Required Installation Method
Swimming Pool or Spa	Wet-Niche Swimming Pool (or Spa) Luminaire (Light)	Fixture Housing (Forming Shell) ONLY. DO NOT USE Fountain Fixture Stand.
Fountain	Wet-Niche Submersible Swimming Pool (or Spa) Luminaire (Light)	Fixture Housing (Forming Shell) or Fountain Fixture Stand.

(* **Note:** Wet-niche luminaires complying with requirements for both uses may bear both the Listed Wet-Niche Swimming Pool (or Spa) Luminaire UL Mark and the Listed Wet-Niche Submersible Luminaire UL Mark. A luminaire not bearing the corresponding UL Listing Mark is not considered by UL to have been produced under UL's Listing and Follow-Up Service for the associated usage location.


⚠ WARNING — THE LIGHT LENS MAY GET HOT WHEN IN USE. USERS SHOULD AVOID CONTACT WITH THE LIGHT AS SERIOUS BURNS MAY RESULT FROM PROLONGED CONTACT WITH THE LIGHT.

Before Installing luminaries read the following:

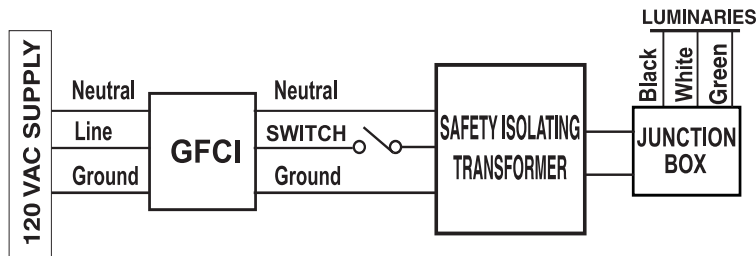
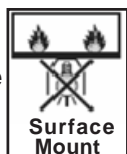
⚠ WARNING! Always install a new lens gasket (see part number in User's Guide), when ever reassembling the light. Failure to do so may permit water to leak into the assembly which could cause; (a) an electrical hazard resulting in death or serious injury to pool users, installer, or others due to electrical shock, or (b) breakage of the lamp or lens, which likewise could result in serious injury to pool user, installers, or bystanders, or in damage to property. **REPLACE ANY CRACKED PROTECTIVE SHIELD (CRACKED LENS) WITH NEW LENS AND GASKET.**

- FOR 12 VAC LUMINARIES: ALWAYS USE A SEPARATE SAFETY ISOLATION TRANSFORMER TO POWER LUMINARIES. See diagram on right.

Note: Connect all three (or two wires) wires to the corresponding circuit wires in the Junction Box (black wire to power, white wire to common, and green wire to ground (for a 3-wire light).

- 12 VAC LUMINARIES SPECIFICATION:
12 0VAC  , 50/60 Hz

Luminaires not suitable for direct mounting on normally flammable surfaces (suitable ONLY for mounting on non-combustible surfaces.



NOTE: FOR 120 VAC ILLUMINARIES, ISOLATION TRANSFORMER IS INCLUDED IN LIGHT FIXTURE.

SECTION I. Installing light fixture during new pool construction

A. Preparatory steps which must be completed by the electrician before light fixture is installed; see Figure 1.

1. Verify that the pool meets the requirements of the current National Electrical Code and all local codes and ordinances. A licensed or certified electrician must install the electrical system to meet or exceed those requirements before the underwater light is installed. Some of the requirements of the National Electrical Code which the pool's electrical system must meet are listed below.

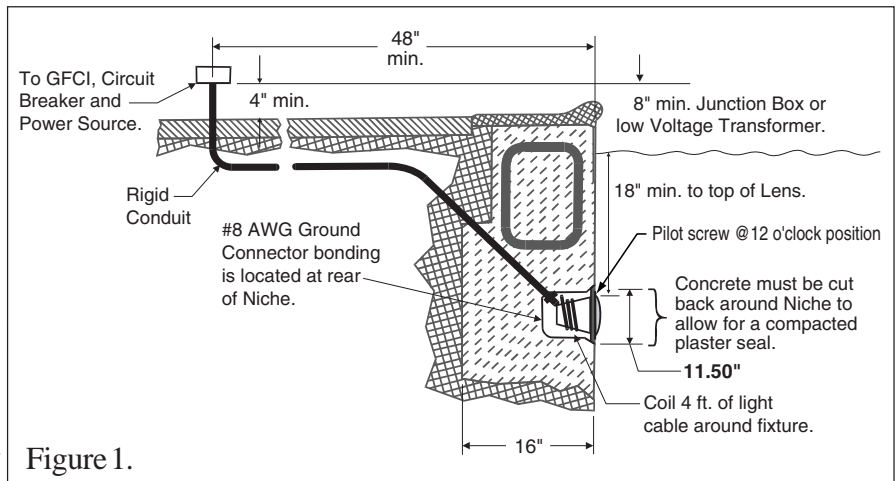


Figure 1.

- a. The lighting circuit must have a Ground Fault Circuit Interrupter (GFCI), and an appropriately rated circuit breaker.
- b. The Junction Box (or, for 12 volt models, the low voltage transformer) must be located at least 8 inches above water level, 4 inches above ground level, and at least 48 inches from the edge of the pool; see Figure 1.
- c. The light fixture and all metal items within 5 feet of the pool must be properly electrically bonded.
- d. The wet niche must be properly installed so the pilot screw hole is at the 12 o'clock position and that the top edge of the underwater light's lens is at least 18 inches below the surface of the water in the pool; see Figure 1.

NOTE

The required orientation of all Pentair lights is with the pilot screw at the 12 o'clock position. This is guaranteed by proper niche installation.

- e. The wet niche must be properly electrically bonded and grounded via the No. 8 AWG ground connector located at the rear of the niche; see Figure 1.
2. To be certain that the pool's electrical system meets all applicable requirements, the electrician should also consult the local building department.
 3. Use only Pentair Aquatic Systems wet niches to insure proper bonding and grounding connections.
- B. Steps to perform after the electrical system requirements are met.
1. Feed cord through conduit to Junction Box, leaving at least 4 feet of cord at the light fixture to coil around the light; see Figure 1. This 4 feet of cord around the light allows the light to be serviced after the pool is filled with water.
 2. Cut the cord at the Junction Box, leaving at least 6 inches of cord to make connections.
 3. Strip 6 inches of the outer cord jacket to expose the three insulated wires. Be careful not to damage the insulation on the three inner wires.
 4. Connect all three wires to the corresponding circuit wires in the Junction Box (black wire to power, white wire to common, and green wire to ground) and secure the Junction Box cover in place.
 5. For lights with 2-conductor cords only (no ground wire) connect two wires to the corresponding circuit wires in the Junction Box, black wire to power, white wire to common and secure the Junction Box cover in place.

WARNING

Never operate this underwater light for more than 10 seconds unless it is totally submerged in water. Without total submersion, the light assembly will get extremely hot, which may result in serious burns or in breakage of the lamp or lens. This may result in serious injury to pool users, installers, or bystanders, or in damage to property.

6. Replace the light assembly into niche and tighten special pilot screw.

WARNING

Use only the special pilot screw provided with this underwater light. This screw mounts and electrically grounds the housing securely to the mounting ring and wet niche. Failure to use the screw provided could create an electrical hazard which could result in death or serious injury to pool users, installers or others due to electrical shock.

7. Fill the pool until the underwater light is completely submerged in water before operating the light for more than 10 seconds. Turn on main switch or circuit breaker, as well as the switch which operates the underwater light itself, to check for proper operation.

SECTION II. Replacing light fixture in existing pool

DANGER



Risk of Electrical Shock or Electrocutation

This underwater light must be installed by a licensed or certified electrician or a qualified pool serviceman in accordance with the National Electrical Code and all applicable local codes and ordinances. Improper installation will create an electrical hazard which could result in death or serious injury to pool users, installers or others due to electrical shock, and may also cause damage to property.

Always disconnect the power to the pool light at the circuit breaker before servicing the light. Failure to do so could result in death or serious injury to serviceman, pool users or others due to electrical shock.

A. Before replacing the light fixture.

1. Verify that the pool meets the requirements of the current National Electrical Code and all local codes and ordinances. A licensed or certified electrician must install the electrical system to meet or exceed those requirements before the underwater light is installed. Some of the requirements of the National Electrical Code which the pool's electrical system must meet are as follows:
 - a. The lighting circuit has a Ground Fault Circuit Interrupter (GFCI), and has an appropriately rated circuit breaker.
 - b. The Junction Box (or, for 12 volt models, the low voltage transformer) is located at least 8 inches above water level and at least 4 inches above ground level and at least 48 inches from the edge of the pool; see Figure 1.
 - c. The light fixture and all metal items within 5 feet of the pool are properly electrically bonded.
 - d. The wet niche is properly installed so that the top edge of the underwater light's lens is at least 18 inches below the surface of the water in the pool; see Figure 1.
 - e. The wet niche is properly electrically bonded and grounded via the No. 8 AWG ground connector located at the rear of the niche; see Figure 1.
2. To be certain that the pool's electrical system meets all applicable requirements, the electrician should also consult the local building department.
3. Use only Pentair Water Pool and Spa wet niches to insure proper bonding and grounding connections.

B. Replacing light fixture after electrical system requirements are met.

WARNING

Failure to bring the pool's electrical system up to code requirements before installing the underwater light will create an electrical hazard which could result in death or serious injury to pool users, installers, or others due to electrical shock, and may also cause damage to property.

1. Turn off main electrical switch or circuit breaker, as well as the switch which operates the underwater light.
2. To remove light assembly, remove the special pilot screw at top of face ring, remove light assembly from niche, and place assembly on deck.

⚠ WARNING

Be sure to keep the special pilot screw from this underwater light. This screw mounts and electrically grounds the housing securely to the mounting ring and wet niche. Failure to use the screw provided could create an electrical hazard which could result in death or serious injury to pool users, installers or others due to electrical shock.

3. Remove Junction Box cover, disconnect the light fixture wires, and pull the cord through the conduit.
4. Feed the new light fixture cord through the conduit from the niche to the Junction Box.

NOTE:

Depending on the length of the conduit, special tools may be required to pull the cord through the conduit.

5. Leave at least 4 feet of cord to coil around the light fixture; see Figure 1. This 4 feet of cord coiled around the light allows the light to be serviced after the pool is filled with water.
6. Cut the cord at the Junction Box, leaving at least 6 inches of cord to make connections.
7. Strip 6 inches of the outer cord jacket from the cord to expose the three insulated wires. Be careful not to damage the insulation on the three inner wires.
8. Connect all three wires to the corresponding circuit wires in the Junction Box (black wire to power, white wire to common, and green wire to ground) and secure the Junction Box cover in place.

⚠ WARNING

Never operate this underwater light for more than 10 seconds unless it is totally submerged in water. Without total submersion, the light assembly will get extremely hot, which may result in serious burns or in breakage of the lamp or lens. This may result in serious injury to pool users, installers, or bystanders, or in damage to property.

9. Replace light assembly into niche and tighten special pilot screw.

⚠ WARNING

Use only the special pilot screw provided with this underwater light. This screw mounts and electrically grounds the housing securely to the mounting ring and wet niche. Failure to use the screw provided could create an electrical hazard which could result in death or serious injury to pool users, installers or others due to electrical shock.

10. Fill the pool until the underwater light is completely submerged in water before operating the light for more than 10 seconds. Turn on main switch or circuit breaker, and the switch that operates the underwater light itself, to check for proper operation.

SECTION III. Replacing a lamp only

⚠ DANGER



Always disconnect power to the pool light at the circuit breaker before servicing the light. Failure to do so could result in death or serious injury to installer, serviceman, pool users or others due to electrical shock.

1. Turn off main electrical switch or circuit breaker, as well as the switch which operates the underwater light itself.
2. You will need the following items.
 - a. A new lens gasket (p/n 79101600).
 - b. A lamp, for proper type and wattage; see Table 1.

⚠ WARNING

Replace lamp with a similar type and wattage. Failure to replace lamp with the same type of lamp will damage the light assembly and may cause an electrical hazard resulting in death or serious injury to pool users, installers, or others due to electrical shock, and may also cause damage to property.

Table 1.

Lamp Specifications:	12* volt Models	120 volt Models
120 volt - 300 watt - R-40 lamp	100 watt	300 watt
120 volt - 400 watt - R-40 lamp	300 watt	400 watt
120 volt - 500 watt - R-40 lamp		500 watt
12 volt - 300 watt - R-40 lamp	*Trnsfmr. req.	
12 volt - 100 watt - R-40 lamp		

⚠ WARNING

Always install a new lens gasket (part number 79101600) whenever disassembling the light. Failure to do so may permit water to leak into the assembly which could cause:

- (a) an electrical hazard resulting in death or serious injury to pool users, installers or others due to electrical shock; or,
 - (b) breakage of the lamp or lens, which could result in serious injury to pool users, installers, bystanders, or in property damage.
3. To remove light assembly, remove the special pilot screw at top of face ring, remove light assembly from niche, and place assembly on deck.

⚠ WARNING

Be sure to keep the special pilot screw from this underwater light. This screw mounts and electrically grounds the housing securely to the mounting ring and wet niche. Failure to use the screw provided could create an electrical hazard which could result in death or serious injury to pool users, installers or others due to electrical shock.

4. Disassemble light fixture and remove bulb. Remove and discard old gasket; see Figure 2.
5. Install new gasket during reassembly of light, Pentair Aquatic Systems part number 79101600.

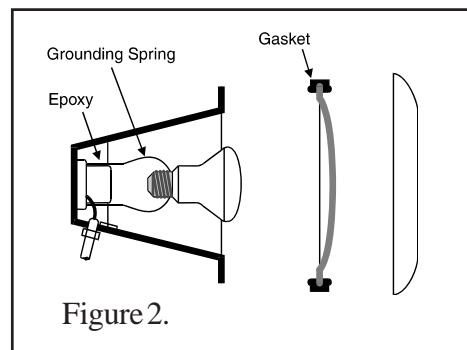
⚠ WARNING

Never operate the underwater light for more than 10 seconds unless it is totally submerged in water. Without total submersion, the light assembly will get extremely hot and may result in serious burns or in breakage of the lamp or lens. This may result in serious injury to pool users, installers, bystanders, or in damage to property.

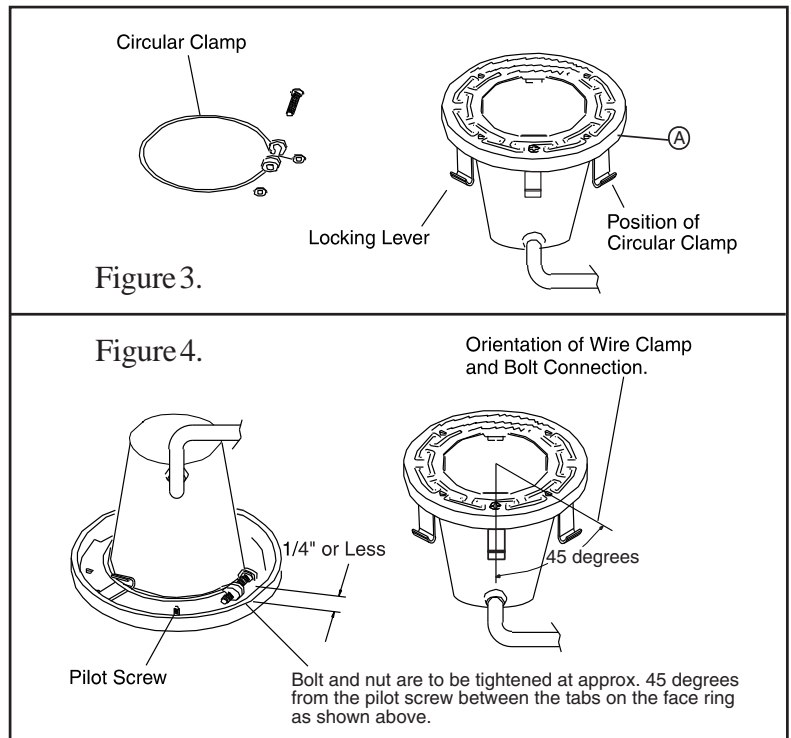
6. Align the pilot screw on the face ring with the first “E” in the word “BEFORE” on the lens face. Then align the lens/ facing assembly to the housing by lining up the pilot screw with the arrow on the warning label.
7. Securing ring to light fixture. Sealing screws must be tightened in the following manner to assure a proper seal;
 - a. For lights with chrome or brass face ring:
 - (1) Partly tighten the screw at the 12 o’ clock position, and then partly tighten the screw at the 6 o’ clock position. Partly tighten the screw at another ‘opposite’ position, and then partly tighten the screw directly across from it.
 - (2) Continue partly tightening all screws in the above sequence until all screws are evenly and securely tightened. Recommended 20 inch pounds torque.
 - b. For lights with stainless steel face ring:
 - (1) With the light resting on its base, align the face ring, and lens/gasket on top of the light shell as described in Step 6. A NEW LENS GASKET MUST BE USED EACH TIME THE LIGHT IS REASSEMBLED. The locking levers should all be hanging freely down to install over the lens and gasket. Before installing the Unitension Clamp be sure that the gap at the ends of the clamp is approximately 1 in. apart. Pull the ends of the Unitension Clamp past one another to accomplish this.
 - (2) With the bent ends of the circular unitension clamp pointing down spread the clamp and place it in the “U” recesses of the locking levers. Be sure the bent ends of the clamp are located between the pair of locking levers as shown in Figure 3, location A. Check to see that the clamp is properly engaged with all of the levers.
 - (3) Turn the light so that it is now resting on its lens. Tighten the bolt and nut until the distance between the ends of the clamp equals 1/4 inch or less; see Figure 4.
8. Replace light assembly into niche and tighten special pilot screw.

⚠ WARNING

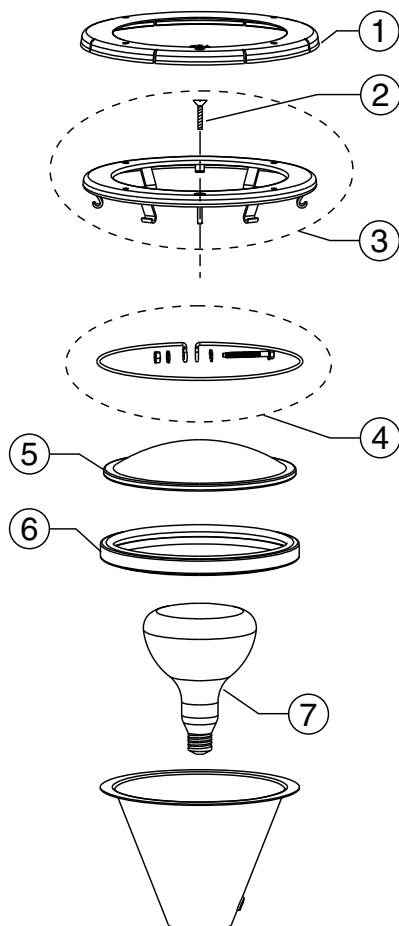
Use only the special pilot screw provided with this underwater light. This screw mounts and electrically grounds the housing securely to the mounting ring and wet niche. Failure to use the screw provided could create an electrical hazard which could result in death or serious injury to pool users, installers or others due to electrical shock.



9. Fill pool until the underwater light is completely submerged in water before operating the light for more than 10 seconds. Turn on main switch or circuit breaker, as well as the switch which operates the underwater light itself, to check for proper operation.



SECTION IV. Amerlite Replacement Parts



Item No.	Part No.	Description
1	79212100	Face ring, large plastic, for S/S only, white
1	79212165	Face ring, large plastic, for S/S only, gray
1	79212111	Face ring, large plastic, for S/S only, black
2	79104800	Pilot Screw, with captive gum washer, brass
2	619355	Pilot Screw, with captive gum washer, S/S
3	79110600	Face ring assembly, S/S
4	79111000	Uni-tension wire clamp assy.
5	79100100	Lens, clear, 8-3/8 in. dia., tempered
5	79100200	Lens, med. blue, 8-3/8 in. dia., heat resistant
6	79101600	Gasket, 8-3/8 in. lens
7	79101800	Floodlamp, med. base, 100 watt, 12 volt
7	79101900	Floodlamp, med. base, 300 watt, 12 volt
7	79102100	Floodlamp, med. base, 500 watt, 120 volt
7	79107600	Floodlamp, med. base, 300 watt, 120 volt
7	79102200	Floodlamp, med. base, 400 watt, 120 volt
	78900700	Kwik-change lens cover, green
	78900800	Kwik-change lens cover, blue
	78900900	Kwik-change lens cover, red

SAVE THESE INSTRUCTIONS



1620 HAWKINS AVE., SANFORD, NC 27330 • (919) 566-8000
10951 WEST LOS ANGELES AVE., MOORPARK, CA 93021 • (805) 553-5000
WWW.PENTAIRPOOL.COM

All Pentair trademarks and logos are owned by Pentair, Inc. Pentair Aquatic Systems™ and Amerlite® are trademarks and/or registered trademarks of Pentair Aquatic Systems and/or its affiliated companies in the United States and/ or other countries. Unless expressly noted, names and brands of third parties that may be used in this document are not used to indicate an affiliation or endorsement between the owners of these names and brands and Pentair Water Pool and Spa, Inc. Those names and brands may be the trademarks or registered trademarks of those third parties. Because we are continuously improving our products and services, Pentair reserves the right to change specifications without prior notice. Pentair is an equal opportunity employer.

© 2014 Pentair Water Pool and Spa, Inc.. All rights reserved. This document is subject to change without notice.

LÁMPARA SUBACUÁTICA AMERLITE®

MANUAL DEL PROPIETARIO

IMPORTANTES INSTRUCTIVOS DE SEGURIDAD *LEA Y SIGA TODOS LOS INSTRUCTIVOS* PROTEJA ESTOS INSTRUCTIVOS

SECCIÓN II. Cambio del accesorio para lámpara en una piscina	12
SECCIÓN III. Cambio de la bombilla (foco) únicamente	14
SECCIÓN IV. Desglose de las partes	16

Table des matières

SECTION I. Installation de l'appareil d'éclairage lors de la construction d'une nouvelle piscine	19
--	----

PELIGRO



Riesgo de choque eléctrico o electrocución

Esta lámpara subacuática tiene que instalarse por un electricista con licencia o certificación y de acuerdo con el Código Eléctrico Nacional (EE. UU.) y todos los códigos y reglamentos locales respectivos. La instalación inadecuada creará un riesgo eléctrico que podría resultar en la muerte o en lesiones graves a los usuarios de la piscina, a los instaladores o a otras personas debido a un choque eléctrico, y también podría causar daños a la propiedad. Lea y siga los instructivos específicos abajo.

ADVERTENCIA

Antes de instalar esta lámpara subacuática de Pentair Aquatic Systems, lea y siga todos los avisos de advertencia y los instructivos que acompañan a la lámpara subacuática. El no apegarse a los avisos de seguridad y a los instructivos podría dar por resultado una lesión grave, la muerte o daños a la propiedad. Comuníquese con su proveedor local para obtener ejemplares gratuitos o llame a Pentair Aquatic Systems al (805) 553-5000.

Aviso importante



A la atención del instalador(a):

Este manual contiene información importante sobre la instalación, operación y uso en forma segura de este producto. Esta información debe dársele al dueño(a)/operador(a) de este equipo.

Etiquetado del Producto

En ciertos productos, hemos provisto el etiquetado en francés y en español.

Ponga estas etiquetas sobre la etiqueta del texto inglés correspondiente si el personal que opera o que da servicio al producto sabe bien cualquiera de estos idiomas.

Si el personal que opera o que da servicio al equipo consiste de personas que hablan diferentes idiomas, entonces puede colocar las etiquetas adicionales del idioma requerido junto a la etiqueta en inglés. Si no hay suficiente espacio en el producto para instalar varias etiquetas, entonces dichas etiquetas deberán ponerse en una placa o letrero y colocarse cerca del equipo donde puedan ser vistas por quienes operan o dan servicio a este equipo.

Antes de poner la(s) etiqueta(s), quite toda la mugre o grasa que haya en la superficie sobre la que se va(n) a poner usando una solución de detergente blando.

⚠ ¡PELIGRO! ¡Riesgo de Golpe Eléctrico o Electrocutación!



Este producto debe ser instalado por un electricista certificado o licenciado o por un representante de servicio de mantenimiento de piscinas calificado de acuerdo con el Código Nacional de Electricidad y todas las regulaciones y códigos locales aplicables. Una instalación inapropiada creará un peligro eléctrico que podría resultar en muerte — o lesiones graves a los usuarios de la piscina, instaladores u otras personas debido a un golpe eléctrico y puede causar daño a la propiedad. Siempre desconecte la fuente de poder de las luces de la piscina en la caja de fusibles antes de realizar un servicio de mantenimiento de las luces. El no hacerlo de esta forma puede resultar en la muerte o lesiones serias al representante de servicios de mantenimiento, usuarios de la piscina u otros debido a un golpe eléctrico. LEA Y SIGA TODAS LAS INSTRUCCIONES DE ESTE MANUAL.

⚠ ADVERTENCIA — Importante información de seguridad para la instalación de luces y nichos Pentair

- Todas las instalaciones de nichos y luces deben estar en conformidad con todos los códigos. Si un código local exige un sello para cable, utilice nichos plásticos Pentair (P/N 79206600 y P/N 79206700).
- Por ningún motivo reemplace luces empalmando cables bajo el agua o detrás del nicho.

⚠ ADVERTENCIA — RIESGO DE GOLPE ELÉCTRICO Y LESIONES.

UTILICE SOLO EL MÉTODO DE INSTALACIÓN ESPECIFICADO MÁS ABAJO.

Importante información de seguridad para instalaciones de reflectores de fuentes


Lugar de uso de Lámpara (Luz)	Reflector de Fuente Pentair* (P/N 560000 – P/N 560001) (P/N 560002 – P/N 560003)	Método de Instalación Requerido
Piscina o Spa	Lámpara (Luz) para Piscina (o Spa) con nicho impermeables	SÓLO carcasa de reflector (Casco de molde). NO UTILIZAR Soporte para reflector de fuente.
Fuente	Lámpara (Luz) para Piscina (o Spa) con nicho impermeable sumergible	Carcasa para reflector (Casco de molde) o soporte para reflector de fuente.

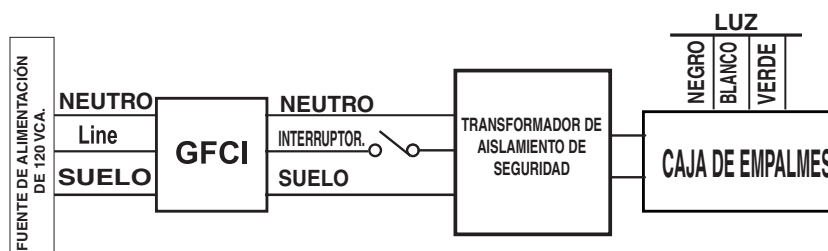
(*) Nota: Las lámparas de nicho impermeable que cumplen con los requisitos para ambos usos, pueden llevar ya sea la marca de certificación UL para Lámparas listadas para piscinas (Spa) de nicho impermeable, como la marca de certificación UL para Lámparas listadas de nicho impermeable sumergible. Una Lámpara que no lleva la marca de Listado UL correspondiente, no es considerada por UL como fabricada bajo el Listado y Servicio de Seguimiento UL para el lugar de uso asociado.

⚠ ADVERTENCIA — El lente de la luz pueden calentarse durante su uso. Los usuarios deben evitar contacto con la luz como quemaduras graves pueden resultar del contacto prolongado con el LUZ.

⚠ ¡ADVERTENCIA! Siempre instale una nueva lente la junta (ver el número de pieza en la Guía de usuario), cuando nunca montar la luz. De no hacerlo, podría permitir fugas de agua en la asamblea general, que podría causar; (a) el peligro de descarga eléctrica que provoca la muerte o lesiones graves a la piscina los usuarios, instalador, o a otras personas debido a una descarga eléctrica, o (b) rotura de la lámpara o del cristalino, que también podría resultar en lesiones graves para usuario grupo, instaladores, o de las personas, o daños a la propiedad.

SUSTITUIR LAS ROTURAS PROTECTOR DE LALENTE (FISURAS) CON UNA NUEVALENTE Y LA EMPAQUETADURA. • PARA 12 VAC luminarias: UTILIZAR SIEMPRE UN TRANSFORMADOR DE AISLAMIENTO DE SEGURIDAD DE luminarias. Vea el diagrama a la derecha. Nota: Conecte los tres (o dos cables) los cables de los cables del circuito correspondiente en la caja de conexión (cable negro al poder, cable blanco en común, y el cable verde a tierra (para una luz de 3 cables).

•12 VCA luminarias ESPECIFICACIÓN:
120 VCA  , 50/60 Hz



SECCIÓN I. Instalación del accesorio para lámpara durante la construcción de una piscina nueva

A. Los siguientes pasos de preparación tienen que haberse completado por el electricista antes de instalar el accesorio para lámpara. (Vea la figura 1 abajo.)

1. Verifique que la piscina cumpla con todos los requisitos del Código Eléctrico Nacional vigente y con todos los códigos y reglamentos locales. Un electricista con licencia o certificación tiene que ser la persona que instale el sistema eléctrico el cual deberá cumplir o

exceder dichos requisitos antes de instalar la lámpara subacuática. Algunos de los requisitos del Código Eléctrico Nacional que el sistema eléctrico de la piscina tiene que cumplir aparecen en seguida. Verifique que:

- a. El circuito de luz tenga un interruptor por corriente de pérdida a tierra (GFCI), y un disyuntor clasificado correctamente.
- b. La caja de empalmes (o, para los modelos de 12 voltios, el transformador de baja tensión) esté colocada por lo menos a 20.3 centímetros (8 pulgadas) arriba del nivel de tierra y por lo menos a 1.22 m (48 pulgadas) de distancia del borde de la piscina. (Vea la figura 1 abajo.)
- c. El accesorio para lámparas y todos los artículos metálicos que estén a menos de 1.5 metros (5 pies) de distancia tienen que estar unidos eléctricamente en la forma correcta.
- d. El nicho en húmedo debe estar correctamente instalado de manera que el tornillo piloto se encuentre en la posición de las 12 del reloj y que el borde superior del lente de la lámpara subacuática se encuentre a un mínimo de 45.72 cm (18 pulg.) por debajo de la superficie del agua de la piscina. (Vea la figura 1 abajo.)

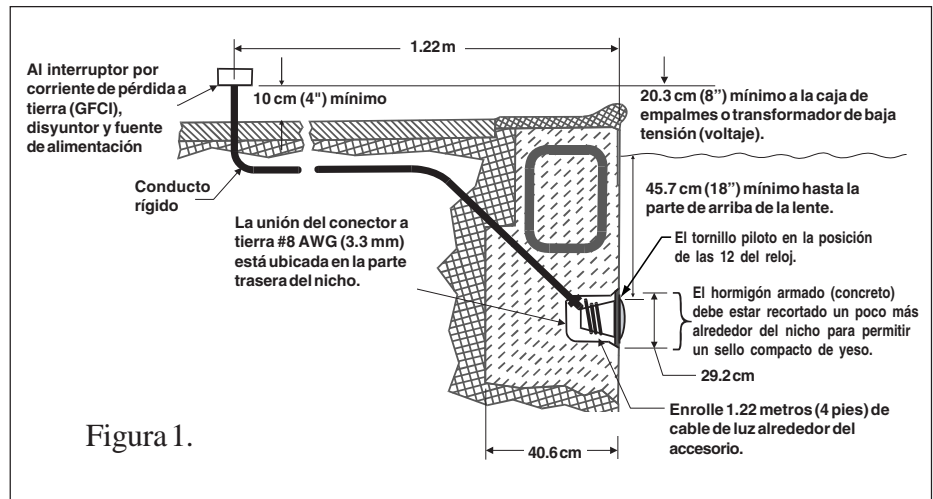


Figura 1.

NOTA

La orientación requerida para todas las lámparas Pentair es con el tornillo piloto en la posición de las 12 del reloj. Esto es garantizado por la instalación correcta del nicho.

- e. El nicho mojado está unido eléctricamente en la forma correcta y conectado a tierra a través del conector a tierra Núm. 8 AWG (3.3 mm) ubicado en la parte trasera del nicho. (Vea la figura 1.)
2. Para estar seguro de que el sistema eléctrico de la piscina satisface todos los requisitos aplicables, el electricista también deberá consultar al departamento de construcciones de la localidad.
 3. Sólo use los nichos mojados de Pentair Water Pool and Spa, Inc. para cerciorarse de una unión eléctrica y de una conexión a tierra correctas.
- B. Pasos que deben realizarse después de que se haya cumplido con los requisitos del sistema eléctrico.
1. Pase el cordón a través del conducto hasta la caja de empalmes, dejando por lo menos 1.22 metros (4 pies) de cordón o cable en el accesorio para lámpara para enrollarlo en la misma lámpara. (Vea la figura 1.) Este metro veintidós centímetros (4 pies) de cordón alrededor del accesorio de la lámpara le permitirá darle servicio a dicha lámpara después de que se llene de agua la piscina.
 2. Corte el cordón en la caja de empalmes, dejando por lo menos 15 cm (6 pulgadas) de cordón para hacer las conexiones.
 3. Pele 15 cm (6 pulgadas) de la punta de la envoltura externa del cordón para poner al descubierto los tres alambres aislados — tenga cuidado de no dañar el aislante de los tres alambres internos.
 4. Conecte los tres alambres a los alambres correspondientes en el circuito en la caja de empalmes y fije la tapa de la caja de empalmes en su lugar.
 5. Para luces con 2-los conductores (sin cable de puesta a tierra) conecte dos cables a los cables del circuito correspondiente en la caja de empalmes, el cable negro a la toma eléctrica, cable blanco común y seguro de la cubierta de la caja de empalmes en el lugar.

⚠️ ADVERTENCIA

Riesgo de choque eléctrico. Conéctese sólo a un receptáculo del tipo que tiene conexión a tierra protegido mediante un interruptor por corriente de pérdida a tierra (GFCI). No use cables o cordones de extensión para la conexión. El no hacer esto en la forma indicada podría resultar en la muerte o en lesiones personales graves.

¿¿¿QUÉ ES UN GFCI???

Un interruptor por corriente de pérdida a tierra (GFCI), es un dispositivo eléctrico de seguridad diseñado con el fin de medir fugas eléctricas en un circuito. Es mucho más sensible que un disyuntor estándar. Las combinaciones de interruptores equipados con un GFCI y tomacorrientes reaccionan ante las fugas inseguras y apagan la corriente antes de que pueda ocurrir una lesión por choque eléctrico. Cualquier dispositivo eléctrico que se use a menos de 3 metros (10 pies) de una piscina tiene que estar protegido por un tomacorrientes equipado con un GFCI o por un disyuntor equipado con un GFCI hecho para usarse precisamente con ese fin.

⚠️ ADVERTENCIA

Nunca encienda esta lámpara subacuática durante más de 10 segundos a no ser que ésta esté completamente sumergida en el agua. Si no está totalmente sumergida, el conjunto de la lámpara se pondrá sumamente caliente, lo cual podría causar quemaduras graves o la rotura de la lámpara o lente. Esto a su vez podría causar lesiones graves a los usuarios de la piscina, a los instaladores, a las personas que se encuentren cerca o daños a la propiedad.

6. Vuelva a colocar el conjunto de la lámpara en el nicho y apriete el tornillo piloto especial de acero inoxidable.

⚠️ ADVERTENCIA

Use solamente el tornillo piloto especial de acero inoxidable suministrado con esta lámpara subacuática. Este tornillo monta y conecta el bastidor a tierra en forma segura conectándolo al aro de montaje y al nicho mojado. El no usar el tornillo provisto podría causar un peligro eléctrico que a su vez podría resultar en la muerte o lesión grave de los usuarios de la piscina, instaladores u otros debido a un choque eléctrico.

7. Llene la piscina hasta que la lámpara subacuática quede completamente sumergida en el agua antes de encender la luz durante más de 10 segundos. Encienda el interruptor principal o el disyuntor, así como también el interruptor que hace funcionar la lámpara subacuática en sí, para verificar que esté funcionando adecuadamente.

SECCIÓN II. Cambio del accesorio para lámpara en una piscina

⚠️ PELIGRO

Riesgo de choque eléctrico o electrocución



Esta lámpara subacuática tiene que instalarse por un electricista con licencia o certificación y de acuerdo con el Código Eléctrico Nacional (EE. UU.) y todos los códigos y reglamentos locales respectivos. La instalación inadecuada creará un riesgo eléctrico que podría resultar en la muerte o en lesiones graves a los usuarios de la piscina, a los instaladores o a otras personas debido a un choque eléctrico, y también podría causar daños a la propiedad.

Siempre desconecte la alimentación eléctrica de la luz de la piscina en el disyuntor antes de darle servicio a la lámpara. El no hacerlo podría resultar en la muerte o en lesiones graves a la persona que esté dando servicio, a los usuarios de la piscina o a otras personas debido a un choque eléctrico.

- A. Antes de cambiar el accesorio para lámpara.

1. Verifique que la piscina satisfaga los requisitos del Código Eléctrico Nacional vigente y todos los códigos y reglamentos de la localidad. Un electricista con licencia o certificación es quien tiene que instalar el sistema eléctrico con el fin de cumplir o exceder dichos requisitos antes de que se instale la lámpara subacuática. Algunos de los requisitos del Código Eléctrico Nacional que el sistema eléctrico de la piscina tiene que cumplir son los siguientes. Verifique que:
 - a. El circuito de luz tiene que tener un interruptor por corriente de pérdida a tierra (GFCI), y tener un disyuntor clasificado correctamente.
 - b. La caja de empalmes (o, para los modelos de 12 voltios, el transformador de baja tensión) debe estar por lo menos a 20.3 centímetros (8 pulgadas) arriba del nivel de tierra y por lo menos a 1.22 m (48 pulgadas) de distancia del borde de la piscina. (Vea la figura 1 abajo.)

- c. El accesorio para lámpara y todos los artículos metálicos que estén a menos de 1.5 metros (5 pies) de distancia tienen que estar unidos eléctricamente en la forma correcta.
- d. El nicho mojado está instalado correctamente de tal manera que el borde superior de la lente de la lámpara subacuática está por lo menos a 45.72 cm (18 pulgadas) por debajo de la superficie del agua en la piscina. (Vea la figura 1 abajo.)
- e. El nicho mojado está unido eléctricamente en la forma correcta y conectado a tierra a través del conector a tierra Núm. 8 AWG ubicado en la parte trasera del nicho. (Vea la figura 1.)

NOTA

El sistema eléctrico de la piscina o bañera de hidromasaje (spa) se puede verificar con un Pool and Spa Electrical Qualification Test Kit (Juego de Prueba para Calificar Piscinas y Bañeras de Hidromasaje). Este juego de prueba está disponible con Pentair Aquatic Systems. La inspección del sistema eléctrico utilizando el juego arriba indicado tiene que realizarse por personal certificado y capacitado para ello.

2. Para estar seguro de que el sistema eléctrico de la piscina satisface todos los requisitos aplicables, el electricista también deberá consultar al departamento de construcciones de la localidad.
3. Sólo use los nichos mojados de Pentair Water Pool and Spa, Inc. para cerciorarse de una unión eléctrica y de una conexión a tierra correctas.

B. Cambio del accesorio para lámpara después de cumplir con los requisitos del sistema eléctrico.

ADVERTENCIA

El no asegurarse de que el sistema eléctrico de la piscina cumpla con los requisitos vigentes del código antes de instalar la lámpara subacuática creará un peligro eléctrico que podría resultar en la muerte o en una lesión grave de los usuarios de la piscina, instaladores, u otras personas debido a un choque eléctrico, y también podría causar daños a la propiedad.

1. Apague el interruptor eléctrico principal o el disyuntor, así como también el interruptor que opera la lámpara subacuática en sí.
2. Para quitar el conjunto de la lámpara, saque el tornillo piloto especial de acero inoxidable que está en la parte de arriba del aro de la carátula, saque del nicho al conjunto de la lámpara y póngalo en el piso junto a la piscina.

ADVERTENCIA

Cerciórese de guardar el tornillo piloto especial de acero inoxidable de esta lámpara subacuática. Este tornillo monta y conecta el bastidor a tierra en forma segura conectándolo al aro de montaje y al nicho mojado. El no usar el tornillo provisto podría causar un peligro eléctrico que a su vez podría resultar en la muerte o lesión grave de los usuarios de la piscina, instaladores u otros debido a un choque eléctrico.

3. Quite la cubierta de la caja de empalmes, desconecte los alambres del accesorio para lámpara, y tire del cordón a través del conducto.
4. Pase el nuevo cordón del accesorio para lámpara a través del conducto desde el nicho hasta la caja de empalmes.

NOTA:

Dependiendo de la longitud del conducto, podrían necesitarse herramientas especiales para tirar del cordón a través del conducto.

5. Deje por lo menos 1.22 metros (4 pies) de cordón o cable alrededor del accesorio de la lámpara. (Vea la figura 1.) Este metro veintidós centímetros (4 pies) de cordón enrollado alrededor del accesorio de la lámpara permitirá que se le dé servicio a la lámpara después de que se llene de agua la piscina.
6. Corte el cordón en la caja de empalmes, dejando por lo menos 15 cm (6 pulgadas) de cordón para hacer las conexiones.
7. Pele 15 cm (6 pulgadas) de la punta de la envoltura externa del cordón para poner al descubierto los tres alambres aislados — tenga cuidado de no dañar el aislante de los tres alambres internos.
8. Conecte los tres alambres a los alambres correspondientes en el circuito en la caja de empalmes (el alambre negro a la fuente de alimentación, el blanco al común de masa y el verde a tierra) y fije la tapa de la caja de empalmes en su lugar.

⚠️ ADVERTENCIA

Nunca encienda esta lámpara subacuática durante más de 10 segundos a no ser que ésta esté completamente sumergida en el agua. Si no está totalmente sumergida, el conjunto de la lámpara se pondrá sumamente caliente, lo cual podría causar quemaduras graves o la rotura de la lámpara o lente. Esto a su vez podría causar lesiones graves a los usuarios de la piscina, a los instaladores, a las personas que se encuentren cerca o daños a la propiedad.

9. Vuelva a colocar el conjunto de la lámpara en el nicho y apriete el tornillo piloto especial de acero inoxidable.

⚠️ ADVERTENCIA

Use solamente el tornillo piloto especial de acero inoxidable suministrado con esta lámpara subacuática. Este tornillo monta y conecta el bastidor a tierra en forma segura conectándolo al aro de montaje y al nicho mojado. El no usar el tornillo provisto podría causar un peligro eléctrico que a su vez podría resultar en la muerte o lesión grave de los usuarios de la piscina, instaladores u otros debido a un choque eléctrico.

10. Llene la piscina hasta que la lámpara subacuática quede completamente sumergida en el agua antes de encender la luz durante más de 10 segundos. Encienda el interruptor principal o el disyuntor, así como también el interruptor que hace funcionar la lámpara subacuática en sí, para verificar que esté funcionando adecuadamente.

SECCIÓN III. Cambio de la bombilla (foco) únicamente

⚠️ PELIGRO



Siempre desconecte la alimentación eléctrica de la luz de la piscina en el disyuntor antes de darle servicio a la lámpara. El no hacerlo podría resultar en la muerte o en lesiones graves al instalador, a la persona que esté dando servicio, a los usuarios de la piscina o a otras personas debido a un choque eléctrico.

1. Apague el interruptor eléctrico principal o el disyuntor, así como también el interruptor que opera la lámpara subacuática en sí.
2. Necesitará conseguir lo siguiente:
 - a. Un empaque nuevo de lente (número de parte 79101600).
 - b. El tipo correcto de lámpara y el vataje adecuado (vea la tabla 1).

⚠️ ADVERTENCIA

Reemplace la lámpara por otra que sea de tipo y vataje similares. El no reemplazar la lámpara con el mismo tipo de lámpara dañará el conjunto de la misma y podría causar un peligro eléctrico que dé por resultado la muerte o lesiones graves a los usuarios de la piscina, instaladores, u otras personas debido a un choque eléctrico, y también podría causar daños a la propiedad.

⚠️ ADVERTENCIA

Siempre instale un empaque nuevo para la lente (número de parte 79101600) cada vez que desarme la luz. El no hacer esto podría permitir que el agua entrase al conjunto, lo cual podría causar:

- (a) un peligro eléctrico que podría resultar en la muerte o en una lesión seria a los usuarios de la piscina, instaladores u otras personas debido a un choque eléctrico, o
- (b) la ruptura de la lámpara o lente que, en forma similar, podría resultar en una lesión seria a los usuarios de la piscina, instaladores o personas cercanas, o daños a la propiedad.

3. Para quitar el conjunto de la lámpara, saque el tornillo piloto especial de acero inoxidable que está en la parte de arriba del aro de la carátula, saque del nicho al conjunto de la lámpara y póngalo en el piso junto a la piscina.

⚠️ ADVERTENCIA

Cerciórese de guardar el tornillo piloto especial de acero inoxidable de esta lámpara subacuática. Este tornillo monta y conecta el bastidor a tierra en forma segura conectándolo al aro de montaje y al nicho mojado. El no usar el tornillo provisto podría causar un peligro eléctrico que a su vez podría resultar en la muerte o lesión grave de los usuarios de la piscina, instaladores u otros debido a un choque eléctrico.

4. Desarme el accesorio para lámpara y quite la bombilla (foco). Quite y deseche el viejo empaque (junta). (Vea la figura 2.)

5. Instale el nuevo empaque al armar de nuevo la luz, el número de parte de Pentair Aquatic Systems es el 79101600.

⚠️ ADVERTENCIA

Nunca encienda esta lámpara subacuática durante más de 10 segundos a no ser que ésta esté completamente sumergida en el agua. Si no está totalmente sumergida, el conjunto de la lámpara se pondrá sumamente caliente, lo cual podría causar quemaduras graves o la rotura de la lámpara o lente. Esto a su vez podría causar lesiones graves a los usuarios de la piscina, a los instaladores, a las personas que se encuentren cerca o daños a la propiedad.

6. Alinee el tornillo piloto del aro de la carátula con la primera letra «E» de la palabra «BEFORE» que está en el frente de la lente. Después alinee este conjunto de aro de lente/carátula con el bastidor, alineando para ello el tornillo piloto con la flecha en la etiqueta de advertencia.
7. Asegure el aro al accesorio de iluminación. Los tornillos de sellado tienen que apretarse de la siguiente forma para asegurar un sellado adecuado:

a. Para los faros con un aro de carátula de cromo o de latón:

- (1) Apriete parcialmente el tornillo en la posición de las 12 horas, y después apriete parcialmente el tornillo en la posición de las 6 horas. Apriete parcialmente el tornillo en alguna otra posición «opuesta», y después apriete parcialmente el tornillo que esté directamente opuesto a ese tornillo.
- (2) Continúe apretando parcialmente todos los tornillos en la secuencia arriba indicada hasta que todos los tornillos estén apretados en forma pareja y segura. (Se recomienda una torsión de 20 pulgadas libra.)

b. Para los faros con un aro de carátula de acero inoxidable: Coloque el tornillo y la tuerca aproximadamente a 45 grados a la derecha del tornillo piloto especial y apriete la tuerca en la abrazadera de unitensión hasta que la distancia entre los extremos de la abrazadera sea igual a 1/4 de pulgada.

- (1) Con el faro descansando sobre su base, coloque la junta en la parte superior de la armazón del faro como se describió en el paso 7. **SE TIENE QUE USAR UNA JUNTA NUEVA DE LENTE CADA VEZ QUE SE VUELVA A ARMAR EL FARO.** Centre el aro de carátula de acero inoxidable y colóquelo encima del grupo formado por la lente y la junta. Todas las palancas de bloqueo deben estar colgando libremente y hacia abajo con el fin de instalar encima la lente y la junta. Antes de instalar la abrazadera de unitensión cerciórese de que la separación entre las puntas de la abrazadera sea de aproximadamente 1 pulgada (2.5 cm). (Tire de las puntas de la abrazadera de unitensión para lograr esto.)
- (2) Con las puntas dobladas de la abrazadera circular de unitensión apuntando hacia abajo abra la abrazadera y colóquela en las muescas en «U» de las palancas de bloqueo. Cerciórese de que las puntas dobladas de la abrazadera estén colocadas entre el par de palancas de bloqueo como se muestra en la figura 3, indicación A. Verifique que la abrazadera esté bien enganchada con todas las palancas.
- (3) Déle vuelta al faro de manera que éste repose sobre la lente. Apriete el perno y la tuerca hasta que la distancia entre las puntas de la abrazadera sea igual a 1/4 de pulgada o menos; vea la figura 4.

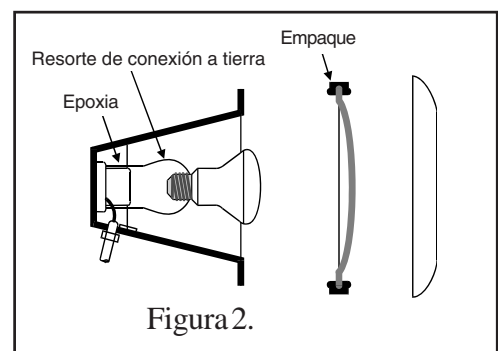
8. Vuelva a colocar el conjunto del faro en el nicho y apriete el tornillo piloto especial.

⚠️ ADVERTENCIA

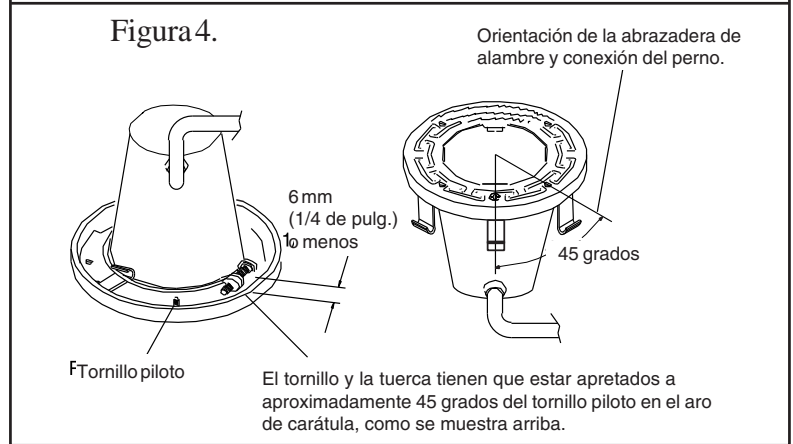
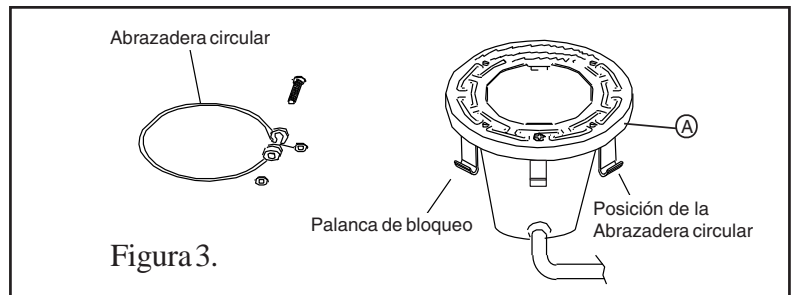
Use solamente el tornillo piloto especial de acero inoxidable suministrado con esta lámpara subacuática. Este tornillo monta y conecta el bastidor a tierra en forma segura conectándolo al aro de montaje y al nicho mojado. El no usar el tornillo provisto podría causar un peligro eléctrico que a su vez podría resultar en la muerte o lesión grave de los usuarios de la piscina, instaladores u otros debido a un choque eléctrico.

TABLA 1.

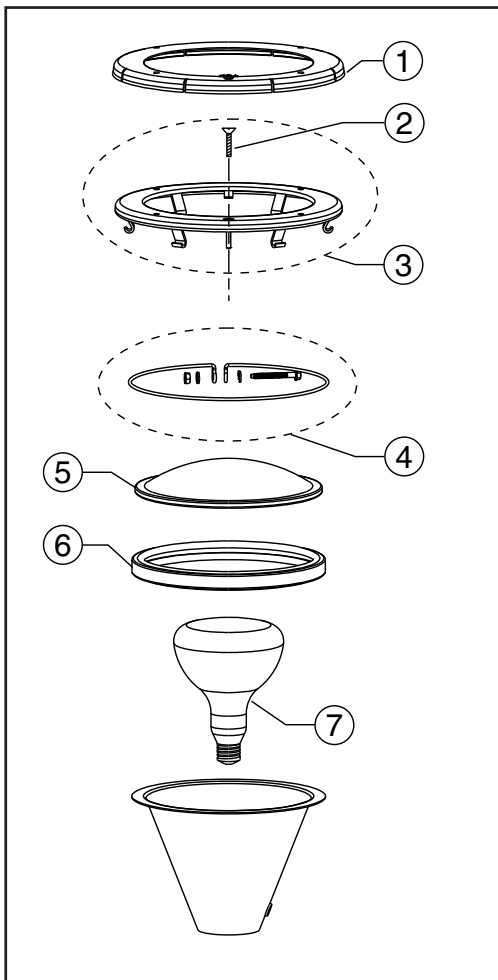
Especificaciones de la lámpara:	Modelos de 12' voltios
120 voltios - 300 vatios - R-40 lámp.	100 vatios
120 voltios - 400 vatios - R-40 lámp.	300 vatios
120 voltios - 500 vatios - R-40 lámp.	* Se requiere transformador
12 voltios - 300 vatios - R-40 lámp.	Modelos de 120 voltios
12 voltios - 100 vatios - R-40 lámp.	300 vatios
	400 vatios
	500 vatios



9. Llene la piscina hasta que la lámpara subacuática quede completamente sumergida en el agua antes de encender la luz durante más de 10 segundos. Encienda el interruptor principal o el disyuntor, así como también el interruptor que hace funcionar la lámpara subacuática en sí, para verificar que esté funcionando adecuadamente.



SECCIÓN IV. Desglose de las partes



Artículo No.	No. del Repuesto	Descripción
1	79212100	Aro frontal, grande de plástico, sólo para acero inoxidable, blanco
1	79212165	Aro frontal, grande de plástico, sólo para acero inoxidable, gris
1	79212111	Aro frontal, grande de plástico, sólo para acero inoxidable, negro
2	79104800	Tornillo piloto, con arandela de caucho cautiva, latón
2	619355	Tornillo piloto, con arandela de caucho cautiva, acero inoxidable
3	79110600	Conjunto del aro de carátula, acero inoxidable
4	79111000	Conjunto de abrazadera del alambre de unitensión
5	79100100	Lente, transparente, 21.27 cm (8 3/8 pulgadas) de diámetro, templada
5	79100200	Lente, azul medio, 21.27 cm (8 3/8 pulgadas) de diámetro, resistente al calor
6	79101600	Empaque, 21.27 cm (8-3/8 pulgadas), lente
7	79101800	Reflector, base med., 100 vatios, 12 voltios
7	79101900	Reflector, base med., 300 vatios, 12 voltios
7	79102100	Reflector, base med., 500 vatios, 120 voltios
7	79107600	Reflector, base med., 300 vatios, 120 voltios
7	79102200	Reflector, base med., 400 vatios, 120 voltios
	78900700	Cubierta de lente Kwik-change, verde
	78900800	Cubierta de lente Kwik-change, azul
	78900900	Cubierta de lente Kwik-change, roja

¡LEA Y PROTEJA ESTOS INSTRUCTIVOS!

NOTICE D'EMPLOI DES LAMPES IMMERGÉES AMERLITE®

CONSIGNES DE SÉCURITÉ IMPORTANTES *PRIÈRE DE LIRE ET D'OBSERVER TOUTES LES CONSIGNES* CONSERVER CETTE NOTICE

SECTION II. Remplacement de l'appareil d'éclairage d'une piscine existante	20
SECTION III. Remplacement d'une ampoule uniquement	22
SECTION IV. Nomenclature des pièces	24

DANGER



Risque de choc électrique ou d'électrocution

Cette lampe immergée doit obligatoirement être installée par un électricien agréé ou breveté conformément au Code national de l'électricité et à tous les codes et ordonnances locaux applicables. Une installation incorrecte risque de créer un danger électrique pouvant provoquer le décès ou des dommages corporels graves pour les utilisateurs de la piscine, les installateurs ou d'autres personnes par suite d'un choc électrique et pouvant également entraîner des dégâts matériels. Prière de lire et d'observer les directives spécifiques ci-dessous.

AVERTISSEMENT

Avant d'installer cette lampe immergée d'Pentair Aquatic Systems, prière de lire et de suivre tous les avertissements et instructions qui l'accompagnent. Toute infraction aux consignes de sécurité et d'emploi risque de provoquer blessures graves, décès ou dégâts matériels. Pour obtenir des exemplaires gratuits, prière de s'adresser au fournisseur local ou d'appeler Pentair Aquatic Systems au 805-553-5000.

Avis important



À l'attention de l'installateur.

La présente notice contient des renseignements importants sur l'installation, le fonctionnement et l'utilisation de ce produit en toute sécurité. Prière de fournir ces informations au propriétaire et (ou) à l'opérateur de ce matériel.

Étiquetage des Produits

Les étiquettes de certains produits sont fournies en français et en espagnol.

Si le personnel opérateur ou de maintenance du produit parle couramment l'une de ces deux langues mieux que l'anglais, installer ces étiquettes par-dessus l'étiquette en anglais correspondante.

Si le personnel consiste de personnes qui parlent plusieurs langues, installer les étiquettes supplémentaires de la langue voulue à côté de l'étiquette en anglais. S'il n'y a pas assez de place sur le produit pour installer plusieurs étiquettes à la fois, apposer ces étiquettes sur un panneau ou une pancarte installée à proximité de l'équipement de manière à ce qu'elles soient visibles par tous les opérateurs ou personnel de maintenance de ce matériel.


Avant d'installer les étiquettes, nettoyer toute la poussière ou graisse de la surface qui devra les recevoir avec une solution de détergent doux.

⚠ DANGER! Risque de décharge électrique ou d'électrocution!



Ce produit doit être installé par un électricien agréé ou qualifié ou un technicien spécialisé, conformément au Code National d'Electricité et à tous les codes et règlements locaux en vigueur. Toute mauvaise installation crée un danger électrique pouvant causer la mort ou des blessures graves - par décharge électrique - aux utilisateurs, aux installateurs ou à des tiers, et pouvant également provoquer des dégâts matériels. Avant de commencer l'entretien du luminaire, veuillez toujours couper le courant électrique du luminaire au niveau du disjoncteur. Le non-respect de cette consigne peut entraîner la mort ou des blessures graves par décharge électrique pour le technicien, les utilisateurs ou des tiers. **VEUILLEZ LIRE ET OBSERVER TOUTES LES CONSIGNES DE CE GUIDE.**

⚠ AVERTISSEMENT — Importantes consignes de sécurité pour l'installation du luminaire et de la niche Pentair

- Toutes les installations de niche et de luminaire doivent être faites conformément à tous les codes. Si les codes locaux exigent un joint d'étanchéité à cordon, veuillez utiliser les niches en plastique Pentair (P/N 79206600 et P/N 79206700).
- Ne tenter en aucun cas de remplacer les luminaires en épissant les câbles sous l'eau ou derrière la niche.
- 12 VAC LUMINAIRES SPECIFICATION: 120 VAC , 50/60 Hz

⚠ AVERTISSEMENT — RISQUE DE DÉCHARGE ELECTRIQUE OU DE BLESSURE.

UTILISEZ UNIQUEMENT LA MÉTHODE D'INSTALLATION SPÉCIFIÉE CI-DESSOUS.

Importantes consignes de sécurité pour l'installation d'un appareil d'éclairage pour fontaine

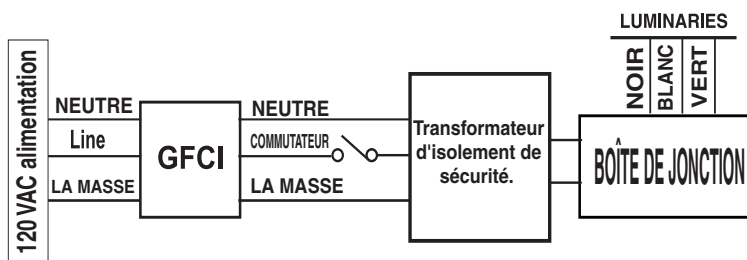
Emplacement/Utilisation du Luminaire (lumière)	Luminaire pour Fontaine Pentair* (P/N 560000 – P/N 560001) (P/N 560002 – P/N 560003)	Méthode d'Installation Requise
Piscine ou spa	Luminaire (lumière) pour niche étanche pour piscine (ou spa)	Bâti de luminaire (coque) SEULEMENT. NE PAS UTILISER le support pour fontaine.
Fontaine	Luminaire (lumière) pour niche submersible de pour piscine (ou spa)	Bâti de luminaire (coque) ou support luminaire pour fontaine.

(*) Remarque : Les luminaires pour niches étanches se conformant aux règlements pour les deux applications peuvent porter la marque UL listée pour les luminaires pour niches étanches pour piscine (ou spa) ainsi que pour les luminaires pour niches submersibles. Un luminaire ne portant pas la marque UL listée correspondante n'est pas considéré comme ayant été produit conformément aux normes de la marque UL listé et au service de suivi de la production UL pour cet emplacement.

⚠ AVERTISSEMENT — La lumière peut devenir chaud pendant l'utilisation. Les utilisateurs doivent éviter contact avec la lumière comme Burns sérieuse peut résulter d'un contact prolongé avec la lumière.

IMPORTANT : Le câblage luminaires - Lire la suite

⚠ AVERTISSEMENT ! Toujours installer une nouvelle lentille joint (voir numéro de référence du Guide de l'utilisateur), quand jamais du remontage de la lumière. Le défaut de le faire peut permettre l'eau de s'écouler dans l'assemblée qui pourrait causer; (a) un risque électrique entraînant la mort ou des blessures graves pour les utilisateurs piscine, installation, ou d'autres, en raison d'un choc électrique, ou (b) rupture de la lampe ou de la lentille, qui de même risque d'entraîner des blessures graves pour l'utilisateur piscine, installateurs, ou des passants, ou des dommages à la propriété. **Remplacer tout fissuré PROTECTION (FISSURÉ LENTILLE)** avec nouvelle lentille et le joint. Pour 12 VCA luminaires : Toujours utiliser un transformateur de séparation de sécurité D'ALIMENTATION DE luminaires. Voir bouton droit sur la droite. Remarque : Brancher tous les trois (ou deux fils) les fils vers le circuit correspondant les fils dans la boîte de jonction (fil noir à la source d'alimentation, fil blanc en commun, et le fil vert à la masse (pour un 3-fils de lumière).



SECTION I. Installation de l'appareil d'éclairage lors de la construction d'une nouvelle piscine

A. Avant que l'appareil d'éclairage ne puisse être installé, l'électricien devra procéder aux préparatifs suivants (cf. figure 1 ci-dessous).

1. S'assurer d'abord que la piscine est conforme aux spécifications courantes du Code national de l'électricité et de tous les codes et ordonnances locaux. Avant que la lampe immergée ne puisse être installée, il faut qu'un électricien agréé

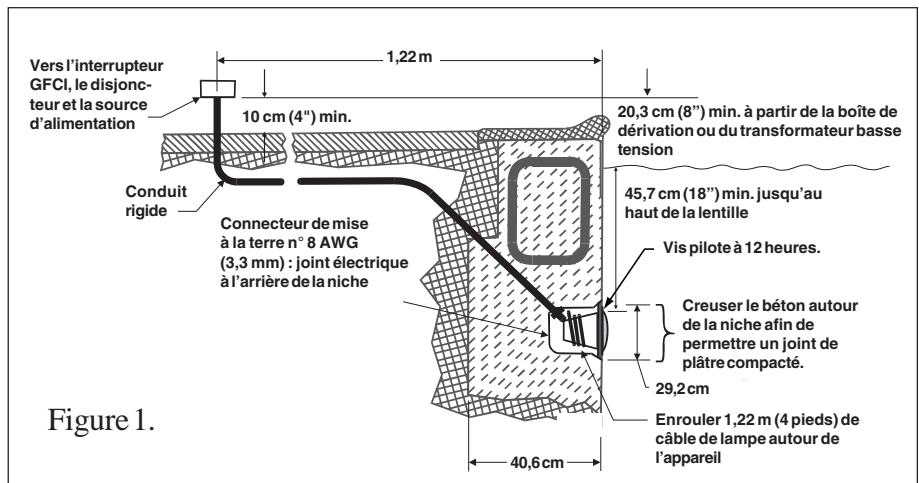


Figure 1.

ou breveté installe un circuit électrique qui soit conforme à ces spécifications ou qui les dépasse. Certaines des spécifications du Code national de l'électricité applicables aux circuits électriques des piscines sont indiquées ci-dessous. Vérifier ainsi que :

- a. Le circuit d'éclairage comporte un interrupteur à détection de courant de terre (GFCI) et un disjoncteur du calibre approprié.
- b. La boîte de dérivation (ou, pour les modèles de 12 volts, le transformateur basse tension) est située à au moins 20,3 cm (8 pouces) au-dessus du niveau du sol et à au moins 1,22 m (48 pouces) du bord de la piscine (cf. figure 1 ci-dessous).
- c. L'appareil d'éclairage et tous les éléments métalliques situés à moins de 1,5 m (5 pieds) de la piscine comportent des joints électriques appropriés.
- d. La niche submersible doit être installée convenablement, de telle manière que le trou de la vis soit à 12 heures et que le rebord supérieur de la lentille du luminaire soit à une profondeur d'au moins 45,7 cm (18 pouces) au-dessous de la surface de l'eau dans la piscine (cf. figure 1 ci-dessous).

REMARQUE

La position requise de tous les luminaires Pentair est d'avoir la vis pilote à 12 heures. Ceci est garanti par l'installation correcte de la niche.

- e. La niche immergée comporte des joints électriques appropriés et est convenablement reliée à la terre au moyen du connecteur de terre n° 8 AWG (3,3 mm) situé à l'arrière de la niche (cf. figure 1).

REMARQUE

Le circuit électrique peut être vérifié au moyen d'un kit d'essai de qualification électrique pour piscines et bains tourbillon, kit disponible auprès d'Pentair Aquatic Systems. L'inspection du circuit au moyen du kit en question doit être réalisée par un personnel breveté et bien formé.

2. Pour s'assurer que le circuit électrique de la piscine est conforme à toutes les spécifications applicables, l'électricien devra aussi consulter le service de construction local.
3. Pour réaliser une connexion à la terre et des joints électriques satisfaisants, n'utiliser que des niches immergées d'Pentair Aquatic Systems.

B. Une fois le circuit électrique installé conformément aux spécifications, procéder comme suit :

1. Acheminer le cordon à travers le conduit jusqu'à la boîte de dérivation en laissant au moins 1,22 m (4 pieds) à enrouler autour de la lampe au niveau de l'appareil d'éclairage (cf. figure 1). Ce mètre vingt-deux permet de procéder au remplacement de la lampe une fois la piscine remplie d'eau.
2. Couper le cordon au niveau de la boîte de dérivation en laissant au moins 15 cm (6 pouces) pour les raccordements.
3. Couper la gaine extérieure du cordon sur 15 cm (6 pouces) afin de mettre à nu les trois conducteurs internes isolés en veillant à ne pas endommager leur isolement.
4. Raccorder les trois conducteurs aux fils correspondants du circuit électrique dans la boîte de dérivation et refermer solidement le couvercle de cette dernière.
5. Pour phares avec 2-pilotes (sans câble de mise à la terre) brancher deux fils aux fils du circuit correspondant dans la boîte de jonction et le câble noir à la prise électrique, fil blanc commun et fixer le couvercle de la boîte de jonction à la place.

⚠️ AVERTISSEMENT

À moins qu'elle ne soit totalement immergée dans l'eau, ne jamais utiliser cette lampe pendant plus de 10 secondes, car elle atteindrait alors des températures excessives susceptibles de provoquer des brûlures graves ou de casser l'ampoule ou la lentille et d'entraîner par là des blessures graves pour les utilisateurs de la piscine, les installateurs ou d'autres personnes, ou encore des dégâts matériels.

6. Remettre l'ensemble lampe dans la niche et serrer la vis sans tête spéciale en acier inoxydable.

⚠️ AVERTISSEMENT

N'utiliser que la vis sans tête spéciale en acier inoxydable livrée avec cette lampe immergée. Cette vis fixe solidement le logement à la bague de montage et à la niche immergée et assure la mise à la terre. L'emploi de toute autre vis risque de créer un danger électrique pouvant provoquer le décès ou des dommages corporels graves pour les utilisateurs de la piscine, les installateurs ou d'autres personnes par suite d'un choc électrique.

7. Ne pas utiliser la lampe pendant plus de 10 secondes avant que la piscine ne soit suffisamment remplie pour que la lampe soit totalement immergée dans l'eau. Mettre alors en marche l'interrupteur ou le disjoncteur principal ainsi que l'interrupteur de commande de la lampe afin d'en vérifier le bon fonctionnement.

SECTION II. Remplacement de l'appareil d'éclairage d'une piscine existante

⚠️ DANGER

Risque de choc électrique ou d'électrocution



Cette lampe immergée doit obligatoirement être installée par un électricien agréé ou breveté ou par un technicien qualifié dans la maintenance des piscines conformément au Code national de l'électricité et à tous les codes et ordonnances locaux applicables. Une installation incorrecte risque de créer un danger électrique pouvant provoquer le décès ou des dommages corporels graves pour les utilisateurs de la piscine, les installateurs ou d'autres personnes par suite d'un choc électrique et pouvant également entraîner des dégâts matériels.

Sous peine de provoquer le décès ou des blessures graves pour le technicien de maintenance, les utilisateurs de la piscine ou d'autres personnes par suite d'un choc électrique, veiller à toujours déconnecter la lampe de la piscine du secteur au niveau du disjoncteur avant de procéder au remplacement de la lampe.

A. Avant de remplacer l'appareil d'éclairage.

1. S'assurer d'abord que la piscine est conforme aux spécifications courantes du Code national de l'électricité et de tous les codes et ordonnances locaux. Avant que la lampe immergée ne puisse être installée, il faut qu'un électricien agréé ou breveté installe un circuit électrique qui soit conforme à ces spécifications ou qui les dépasse. Certaines des spécifications du Code national de l'électricité applicables aux circuits électriques des piscines sont indiquées ci-dessous. Vérifier ainsi que:
 - a. Le circuit d'éclairage comporte un interrupteur à détection de courant de terre (GFCI) et un disjoncteur du calibre approprié.
 - b. La boîte de dérivation (ou, pour les modèles de 12 volts, le transformateur basse tension) est située à au moins 20,3 cm (8 pouces) au-dessus du niveau du sol et à au moins 1,22 m (48 pouces) du bord de la piscine (cf. figure 1 ci-dessous).
 - c. L'appareil d'éclairage et tous les éléments métalliques situés à moins de 1,5 m (5 pieds) de la piscine comportent des joints électriques appropriés.
 - d. La niche immergée est correctement installée de manière à ce que le bord supérieur de la lentille de la lampe soit à au moins 45,7 cm (18 pouces) au-dessous de la surface de l'eau dans la piscine (cf. figure 1 ci-dessous).
 - e. La niche immergée comporte des joints électriques appropriés et est convenablement reliée à la terre au moyen du connecteur de terre n° 8 AWG (3,3 mm) situé à l'arrière de la niche (cf. figure 1).

REMARQUE

Le circuit électrique peut être vérifié au moyen d'un kit d'essai de qualification électrique pour piscines et bains tourbillon, kit disponible auprès d'Pentair Aquatic Systems. L'inspection du circuit au moyen du kit en question doit être réalisée par un personnel breveté et bien formé.

2. Pour s'assurer que le circuit électrique de la piscine est conforme à toutes les spécifications applicables, l'électricien devra aussi consulter le service de construction local.
 3. Pour réaliser une connexion à la terre et des joints électriques satisfaisants, n'utiliser que des niches immergées d'Pentair Aquatic Systems.
- B. Pour remplacer l'appareil d'éclairage une fois le circuit électrique installé conformément aux spécifications, procéder comme suit.

AVERTISSEMENT

Avant d'installer la lampe immergée, veiller à rendre le circuit électrique de la piscine conforme aux spécifications du code, car on risquerait autrement de créer un danger électrique pouvant provoquer le décès ou des dommages corporels graves pour les utilisateurs de la piscine, les installateurs ou d'autres personnes par suite d'un choc électrique, et entraîner également des dommages matériels.

1. Mettre à l'arrêt l'interrupteur ou le disjoncteur principal ainsi que l'interrupteur de commande de la lampe immergée.
2. Pour retirer l'ensemble lampe, ôter la vis de guide spéciale en acier inoxydable située au sommet de la bague avant, retirer l'ensemble de la niche et le placer sur la plate-forme.

AVERTISSEMENT

Veiller à conserver la vis de guide spéciale en acier inoxydable de cette lampe immergée. Cette vis fixe solidement le logement à la bague de montage et à la niche immergée et assure la mise à la terre. L'emploi de toute autre vis risque de créer un danger électrique pouvant provoquer le décès ou des dommages corporels graves pour les utilisateurs de la piscine, les installateurs ou d'autres personnes par suite d'un choc électrique.

3. Enlever le couvercle de la boîte de dérivation, débrancher les fils électriques de l'appareil d'éclairage et tirer le cordon à travers le conduit.
4. Acheminer le cordon du nouvel appareil à travers le conduit depuis la niche jusqu'à la boîte de dérivation.

REMARQUE :

Selon la longueur du conduit, il se pourrait que l'on ait besoin d'outils spéciaux pour tirer le cordon à travers le conduit.

5. Laisser au moins 1,22 m (4 pieds) de cordon à enrouler autour de la lampe (cf. figure 1). Ce mètre vingt-deux permet de procéder au remplacement de la lampe une fois la piscine remplie d'eau.
6. Couper le cordon au niveau de la boîte de dérivation en laissant au moins 15 cm (6 pouces) pour les raccordements.
7. Couper la gaine extérieure du cordon sur 15 cm (6 pouces) afin de mettre à nu les trois conducteurs internes isolés en veillant à ne pas endommager leur isolement.
8. Raccorder les trois conducteurs aux fils correspondants du circuit électrique dans la boîte de dérivation (conducteur noir raccordé au fil de tension, conducteur blanc au fil de retour et conducteur vert au fil de terre) et refermer solidement le couvercle de la boîte.

AVERTISSEMENT

À moins qu'elle ne soit totalement immergée dans l'eau, ne jamais utiliser cette lampe pendant plus de 10 secondes, car elle atteindrait alors des températures excessives susceptibles de provoquer des brûlures graves ou de casser l'ampoule ou la lentille et d'entraîner par là des blessures graves pour les utilisateurs de la piscine, les installateurs ou d'autres personnes, ou encore des dégâts matériels.

9. Remettre l'ensemble lampe dans la niche et serrer la vis de guide spéciale en acier inoxydable.

SECTION III. Remplacement d'une ampoule uniquement

⚠ DANGER



Sous peine de provoquer le décès ou des dommages corporels graves pour l'installateur, le technicien de maintenance, les utilisateurs de la piscine ou d'autres personnes par suite d'un choc électrique, veiller à toujours déconnecter la lampe de la piscine du secteur au niveau du disjoncteur avant de procéder à son entretien.

1. Mettre à l'arrêt l'interrupteur ou le disjoncteur principal ainsi que l'interrupteur de commande de la lampe immergée.
2. Se procurer les éléments suivants :
 - a. Un nouveau joint de lentille (référence 79101600).
 - b. Une ampoule du type correct et de la puissance qui convient (cf. tableau 1).

TABLEAU 1.

Spécifications de l'ampoule:	Modèles 12 ^v volts
120 volts - 300 watts - ampoule R-40	100 watts
120 volts - 400 watts - ampoule R-40	300 watts
120 volts - 500 watts - ampoule R-40	* Transformateur nécessaire
12 volts - 300 watts - ampoule R-40	Modèles 120 volts
12 volts - 100 watts - ampoule R-40	300 watts
	400 watts
	500 watts

⚠ AVERTISSEMENT

Ne remplacer l'ampoule que par un modèle de type et de puissance semblables, faute de quoi on risque d'endommager l'ensemble lampe et de créer un danger électrique pouvant provoquer le décès ou des dommages corporels graves pour les utilisateurs de la piscine, les installateurs ou d'autres personnes par suite d'un choc électrique et pouvant également entraîner des dégâts matériels.

⚠ AVERTISSEMENT

Installer toujours un nouveau joint de lentille (référence 79101600) lorsque l'on démonte la lampe, faute de quoi de l'eau pourrait pénétrer dans l'ensemble et :

- (a) créer un danger électrique pouvant provoquer le décès ou des dommages corporels graves pour les utilisateurs de la piscine, les installateurs ou d'autres personnes par suite d'un choc électrique, ou
- (b) briser la lampe ou la lentille, ce qui pourrait de même provoquer des blessures graves pour les utilisateurs de la piscine, les installateurs ou d'autres personnes, ou entraîner des dégâts matériels.

3. Pour retirer l'ensemble lampe, ôter la vis de guide spéciale en acier inoxydable située au sommet de la bague avant, retirer l'ensemble de la niche et le placer sur la plate-forme.

⚠ AVERTISSEMENT

Veiller à conserver la vis de guide spéciale en acier inoxydable de cette lampe immergée. Cette vis fixe solidement le logement à la bague de montage et à la niche immergée et assure la mise à la terre. L'emploi de toute autre vis risque de créer un danger électrique pouvant provoquer le décès ou des dommages corporels graves pour les utilisateurs de la piscine, les installateurs ou d'autres personnes par suite d'un choc électrique.

4. Démontez l'appareil d'éclairage et retirez l'ampoule. Ôtez le vieux joint et s'en débarrassez, cf. Figure 2.
5. Lors de la pose de la lampe, installez un nouveau joint Pentair Aquatic Systems référence 79101600.

⚠ AVERTISSEMENT

À moins qu'elle ne soit totalement immergée dans l'eau, ne jamais utiliser cette lampe pendant plus de 10 secondes, car elle atteindrait alors des températures excessives susceptibles de provoquer des brûlures graves ou de casser l'ampoule ou la lentille, et d'entraîner par là des blessures graves pour les utilisateurs de la piscine, les installateurs ou d'autres personnes, ou encore des dégâts matériels.

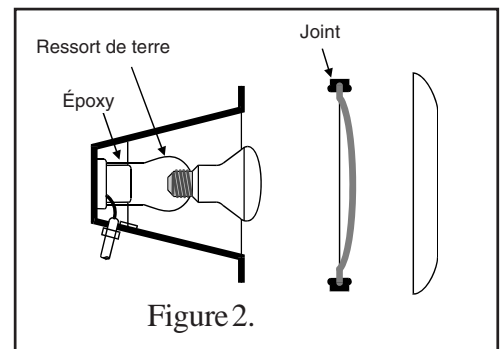


Figure 2.

SECTION III. Remplacement d'une ampoule uniquement

⚠ DANGER

Sous peine de provoquer le décès ou des dommages corporels graves pour l'installateur, le technicien de maintenance, les utilisateurs de la piscine ou d'autres personnes par suite d'un choc électrique, veiller à toujours déconnecter la lampe de la piscine du secteur au niveau du disjoncteur avant de procéder à son entretien.

1. Mettre à l'arrêt l'interrupteur ou le disjoncteur principal ainsi que l'interrupteur de commande de la lampe immergée.
2. Se procurer les éléments suivants :
 - a. Un nouveau joint de lentille (référence 79101600).
 - b. Une ampoule du type correct et de la puissance qui convient (cf. tableau 1).

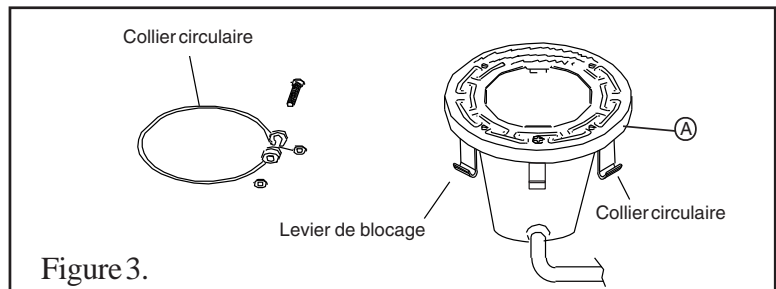


Figure 3.

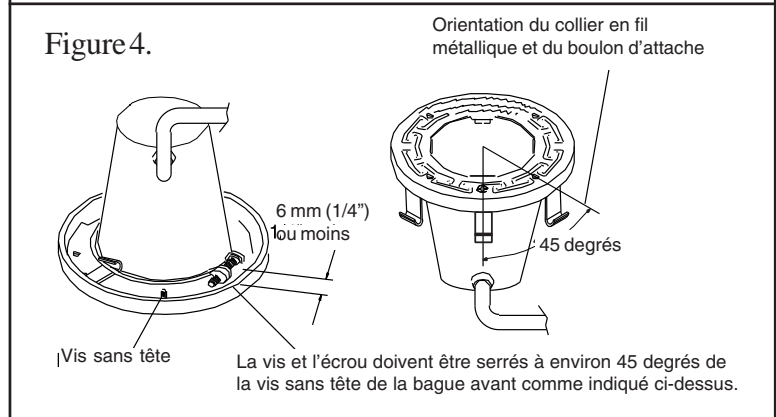


Figure 4.

⚠ AVERTISSEMENT

Ne remplacer l'ampoule que par un modèle de type et de puissance semblables, faute de quoi on risque d'endommager l'ensemble lampe et de créer un danger électrique pouvant provoquer le décès ou des dommages corporels graves pour les utilisateurs de la piscine, les installateurs ou d'autres personnes par suite d'un choc électrique et pouvant également entraîner des dégâts matériels.

⚠ AVERTISSEMENT

Installer toujours un nouveau joint de lentille (référence 79101600) lorsque l'on démonte la lampe, faute de quoi de l'eau pourrait pénétrer dans l'ensemble et :

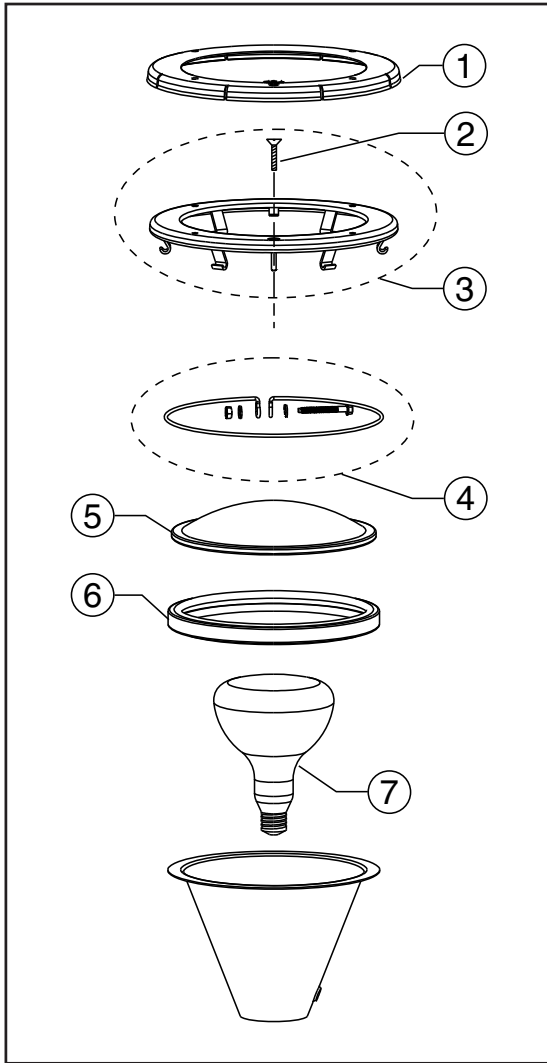
- (a) créer un danger électrique pouvant provoquer le décès ou des dommages corporels graves pour les utilisateurs de la piscine, les installateurs ou d'autres personnes par suite d'un choc électrique, ou
 - (b) briser la lampe ou la lentille, ce qui pourrait de même provoquer des blessures graves pour les utilisateurs de la piscine, les installateurs ou d'autres personnes, ou entraîner des dégâts matériels.
3. Pour retirer l'ensemble lampe, ôter la vis de guide spéciale en acier inoxydable située au sommet de la bague avant, retirer l'ensemble de la niche et le placer sur la plate-forme.

⚠ AVERTISSEMENT

Veiller à conserver la vis de guide spéciale en acier inoxydable de cette lampe immergée. Cette vis fixe solidement le logement à la bague de montage et à la niche immergée et assure la mise à la terre. L'emploi de toute autre vis risque de créer un danger électrique pouvant provoquer le décès ou des dommages corporels graves pour les utilisateurs de la piscine, les installateurs ou d'autres personnes par suite d'un choc électrique.

4. Démontez l'appareil d'éclairage et retirez l'ampoule. Ôtez le vieux joint et s'en débarrasser, cf. Figure 2.
5. Lors de la pose de la lampe, installez un nouveau joint Pentair Aquatic Systems référence 79101600.

SECTIONIV. Nomenclature des pièces



Article No.	Pièce No.	Description
1	79212100	Bague avant grande en plastique, pour inox seulement, blanche
1	79212165	Bague avant grande en plastique, pour inox seulement, grise
1	79212111	Bague avant grande en plastique, pour inox seulement, noire
2	79104800	Vis pilote avec rondelle captive en caoutchouc, laiton
2	619355	Vis pilote avec rondelle captive en caoutchouc, inox
3	79110600	Ensemble bague avant, inox
4	79111000	Ensemble collier en fil métallique unitension
5	79100100	Lentille transparente en verre trempé, 21,3 cm (8-3/8") de diamètre
5	79100200	Lentille bleu moyen résistant à la chaleur, 21,3 cm (8-3/8") de diamètre
6	79101600	Joint pour lentille 21,3 cm (8-3/8")
7	79101800	Ampoule, base moyenne, 100 watts, 12 volts
7	79101900	Ampoule, base moyenne, 300 watts, 12 volts
7	79102100	Ampoule, base moyenne, 500 watts, 120 volts
7	79107600	Ampoule, base moyenne, 300 watts, 120 volts
7	79102200	Ampoule, base moyenne, 400 watts, 120 volts
	78900700	Couvercle de lentille vert à changement rapide
	78900800	Couvercle de lentille bleu à changement rapide
	78900900	Couvercle de lentille rouge à changement rapide

PRIÈRE DE LIRE ET DE CONSERVER CETTE NOTICE !

© 2014 Pentair Water Pool and Spa, Inc. Tous droits réservés.

Ce document est sujet à tous changements sans préavis.

Pentair Aquatic Systems et Amerlitea® sont des marques de commerce de Pentair Aquatic Systems. Les autres marques ou dénominations commerciales utilisées dans ce document pour faire référence aux entités se réclamant de ces marques ou dénominations ou à leurs produits sont la propriété de leurs détenteurs respectifs. Pentair Water Pool and Spa, Inc. déclare n'avoir aucun intérêt dans les marques et noms de produits autres que les siens.