

## SERIES 1730 (18" HIGH) UTILITY BOX GREEN

■ 16 PER PALLET

■ BODY & COVER

■ BODY WITH METER COVER

■ BODY

■ COVER

■ COVER WITH METER DOOR

1730-18P2P

42.00 LBS. 19.05 KG

1730-18P3P

42.30 LBS. 19.18 KG

1730-18P

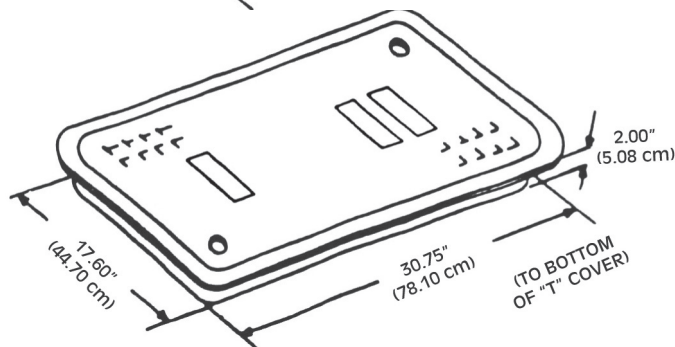
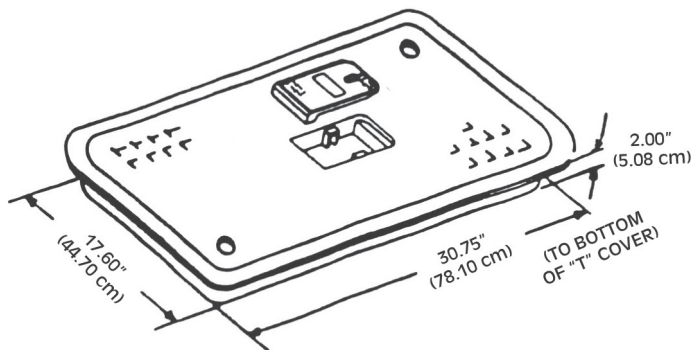
29.00 LBS. 13.15 KG

1730-2P

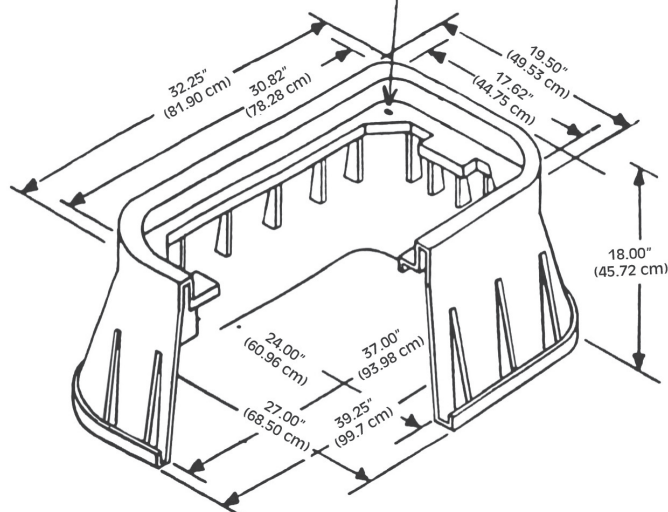
13.00 LBS. 5.90 KG

1730-3P

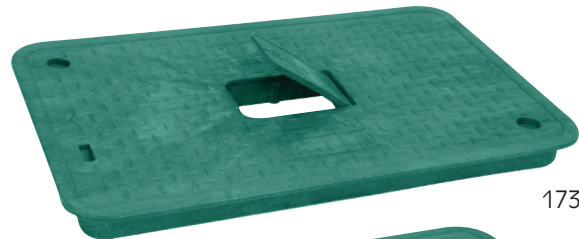
13.30 LBS. 6.03 KG



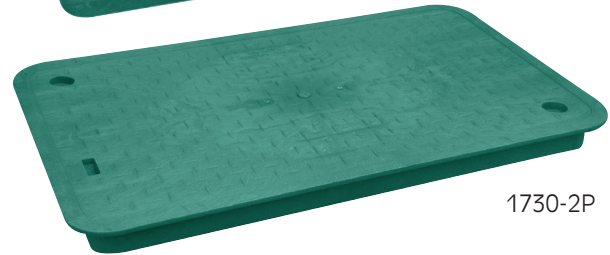
BOLTS - 3/8" x 2 1/2" STAINLESS STEEL  
DIAGONAL BOLT DOWN PATTERN



■ FOR USE IN NON-VEHICLE TRAFFIC AREA



1730-3P



1730-2P



1730-18P

### SPECIAL FEATURES

- UV INHIBITOR ADDED TO PREVENT DISCOLORING & CRACKING
- HEAVY DUTY COMMERCIAL CONSTRUCTION
- CAST IRON OR POLY METER READER COVER
- DIAGONAL BOLT DOWN PATTERN
- MOLDED IN NYLON NUT FOR BOLTS

### OTHER STOCK COLORS AVAILABLE

- BLACK
- GRAY
- LAVENDER
- TAN

**STANDARD MARKINGS (IRRIGATION CONTROL VALVE (ICV) • TELEPHONE • CATV • ELECTRIC • WATER (SOLID OR WITH METER READER) • BLANK • SEWER • RECLAIMED WATER)**