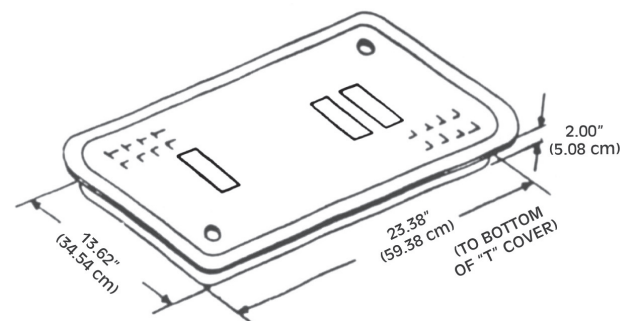
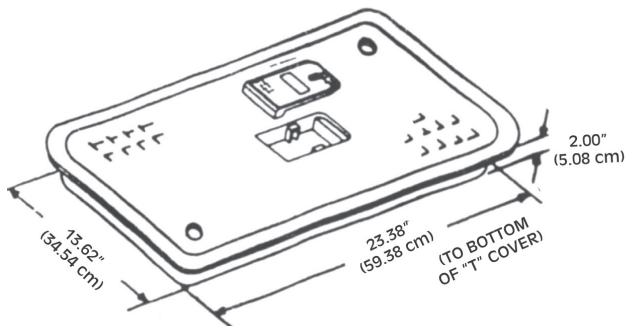


SERIES 1324 (12" HIGH) UTILITY BOX GREEN

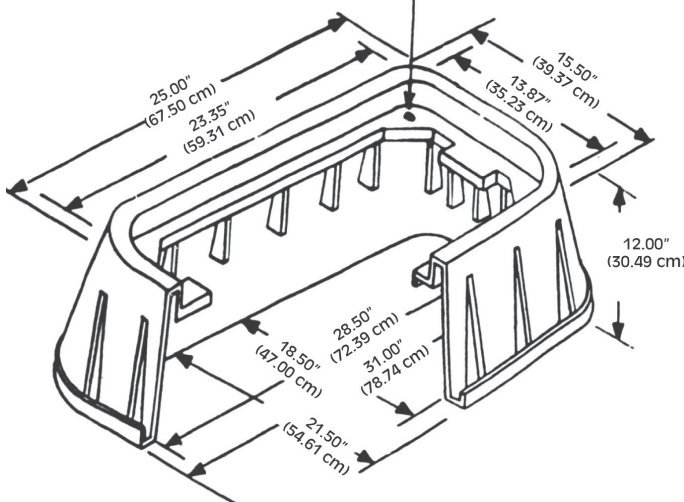
- 16 PER PALLET
- BODY & COVER
- BODY WITH METER READER COVER
- BODY
- COVER
- COVER WITH METER READER DOOR

1324-12P2P	22.00 LBS.	9.98 KG
1324-12P3P	22.80 LBS.	10.34 KG
1324-12P	15.00 LBS.	6.80 KG
1324-2P	7.00 LBS.	3.18 KG
1324-3P	7.80 LBS.	3.54 KG



BOLTS - 3/8" x 2 1/2" STAINLESS STEEL

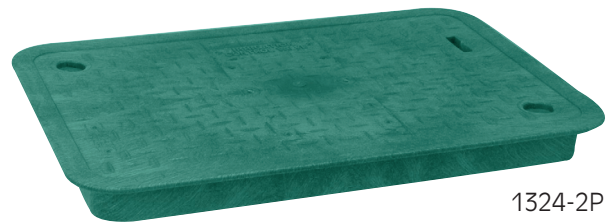
DIAGONAL BOLT DOWN PATTERN



■ FOR USE IN NON-VEHICLE TRAFFIC AREA



1324-3P



1324-2P



1324-12P

SPECIAL FEATURES

- UV INHIBITOR ADDED TO PREVENT DISCOLORING & CRACKING
- HEAVY DUTY COMMERCIAL CONSTRUCTION
- CAST IRON OR POLY METER READER COVER
- DIAGONAL BOLT DOWN PATTERN
- MOLDED IN NYLON NUT FOR BOLT

**OTHER
STOCK COLORS
AVAILABLE**

- BLACK
- GRAY

STANDARD MARKINGS AVAILABLE (IRRIGATION CONTROL VALVE • WATER (SOLID OR WITH METER READER) • ELECTRIC • BLANK • TELEPHONE • CATV • RECLAIMED WATER • SEWER)