

**SERIES 1320-XG (6" HIGH) EXTENSION BODY GREEN**

■ 32 PER PALLET

■ BODY & COVER

1320-XG2G

8.55 LBS.

3.88 KG

■ BODY

1320-XG

5.00 LBS.

2.28 KG

■ COVER

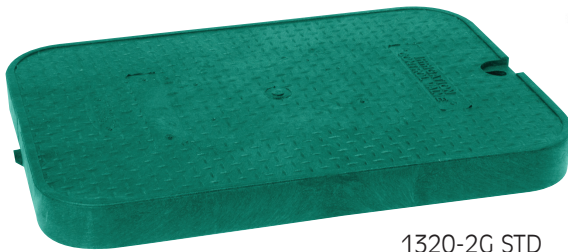
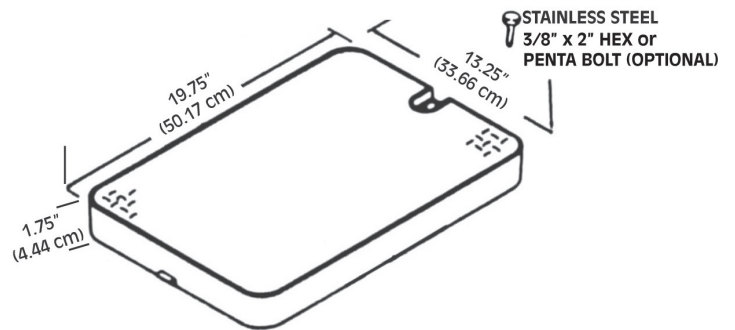
1320-2G

3.55 LBS.

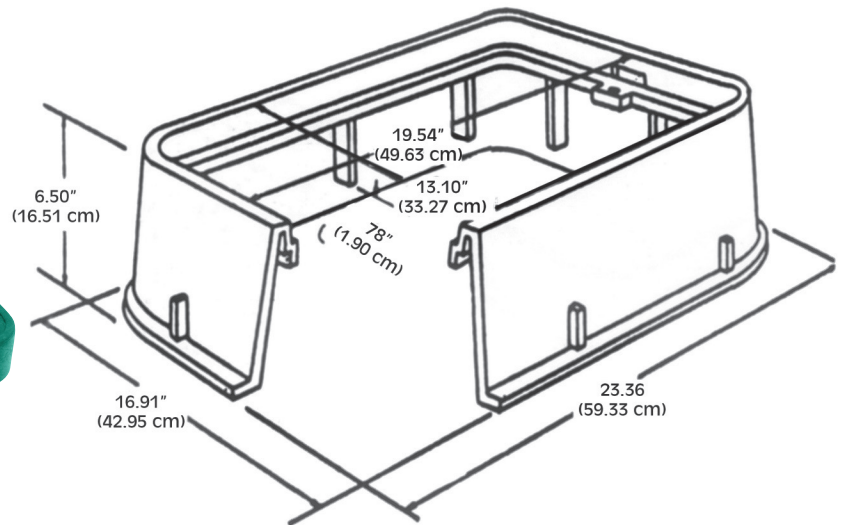
1.60 KG



1320-XG



1320-2G STD



■ FOR USE IN NON-VEHICLE TRAFFIC AREA

**SPECIAL  
FEATURES**

- 6" EXTENSION FOR 1320 BODY
- HEAVY DUTY CONSTRUCTION
- U.V. INHIBITOR TO PREVENT DISCOLORATION & CRACKING
- MOLDED IN NYLON NUT FOR BOLT

STANDARD MARKING AVAILABLE (IRRIGATION CONTROL VALVE • RECLAIMED WATER (GREEN) • WATER (SOLID OR METER READER) • SEWER • ELECTRIC • CATV • TELEPHONE • BLANK)