

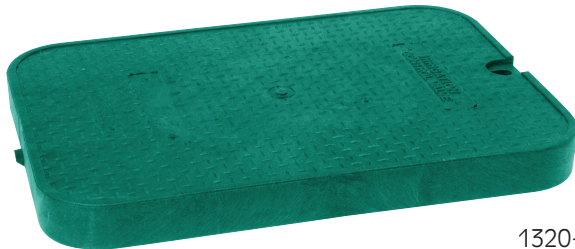
SERIES 1320 "JUMBO" (12" HIGH) VALVE BOX GREEN

■ 40 PER PALLET

■ BODY & SOLID COVER	1320-1G2G	13.13 LBS.	5.96 KG
■ BODY METER READER COVER	1320-1G3G	13.33 LBS.	6.05 KG
■ BODY	1320-1G	9.58 LBS.	4.36 KG
■ COVER	1320-2G	3.55 LBS.	1.60 KG
■ COVER WITH METER DOOR	1320-3G	3.75 LBS.	1.70 KG



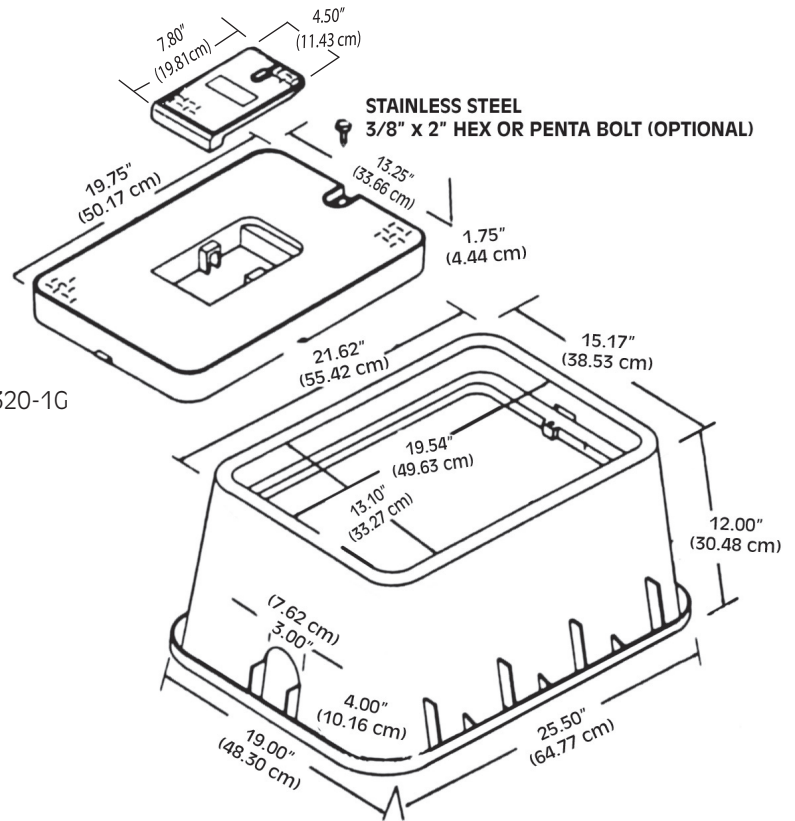
1320-1G



1320-2G



1320-3G



■ FOR USE IN NON-VEHICLE TRAFFIC AREA

SPECIAL FEATURES

- HEAVY DUTY CONSTRUCTION
- MOLDED IN NYLON NUT FOR BOLT
- UV INHIBITOR TO PREVENT DISCOLORING & CRACKING
- CAST IRON OR POLY METER READER COVER

OTHER STOCK COLORS AVAILABLE

- BLACK
- LAVENDER
- GRAY
- TAN

STANDARD MARKINGS AVAILABLE (IRRIGATION CONTROL VALVE • WATER (SOLID OR METER READER) • SEWER • ELECTRIC (GREEN) • CATV • TELEPHONE • BLANK (NO COVER MARKING)