

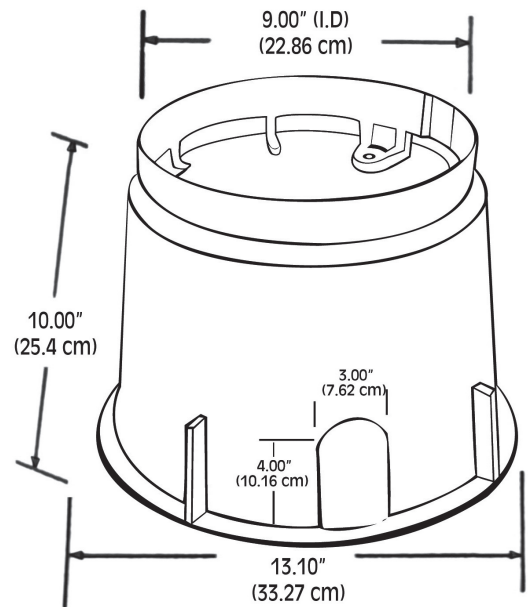
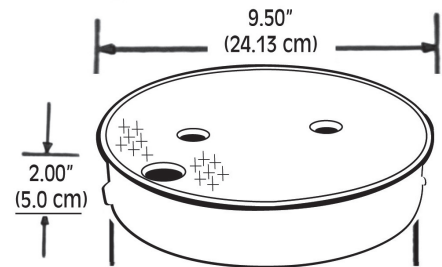
SERIES 910L (10" ROUND) GREEN

■ 90 PER PALLET

■ BODY & COVER	910L-1G2G	4.00 LBS.	1.81 KG
■ BODY	910L-1G	2.75 LBS.	1.24 KG
■ COVER	910L-2G	1.25 LBS.	57 KG



STAINLESS STEEL
3/8" x 2" HEX OR PENTA BOLT (OPTIONAL)



SPECIAL FEATURES

- TWIST LOCK COVER
- STRONGER LOAD STRENGTH
- UV INHIBITORS TO PREVENT DISCOLORATION & CRACKING
- MOLDED IN NYLON NUT FOR BOLT
- HEAVY DUTY CONSTRUCTION

OTHER STOCK COLORS AVAILABLE

- TAN
- BLACK
- GRAY
- LAVENDER

STANDARD MARKINGS AVAILABLE (IRRIGATION CONTROL • CATV • WATER • SEWER • TELEPHONE • ELECTRIC • BLANK • RECLAIMED WATER)