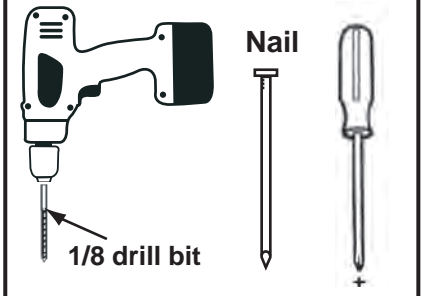


# INSTALLATION GUIDE D1

## ⚠ WARNING

- ▶ Do not dive or jump from step or ladder.
- ▶ Use BATTERY operated tools to avoid electric shocks.
- ▶ Install the pool step on a flat surface.
- ▶ Remove step from pool during freezing climate season.
- ▶ Manufacturer cannot be held responsible for injuries caused by abusive use of product.
- ▶ Ask your city about specific regulations that apply to your above ground pool and ladder.

### Tools required (not included)



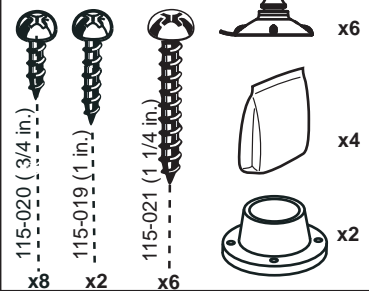
**\*\*\* Caution : File off all stripped or sharp edges before assembly to avoid injuries and pool damage. To ease the installation of rails and bolts, use a screwdriver to line up the holes.**

### Contents hardware bag

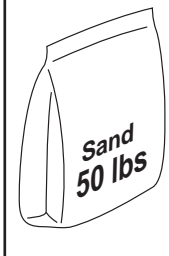
### Sand

### STEP CUPS INSTALLATION

SCREW KIT 140-0035



(not included)



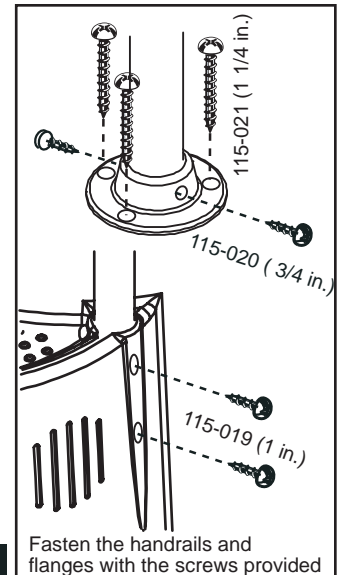
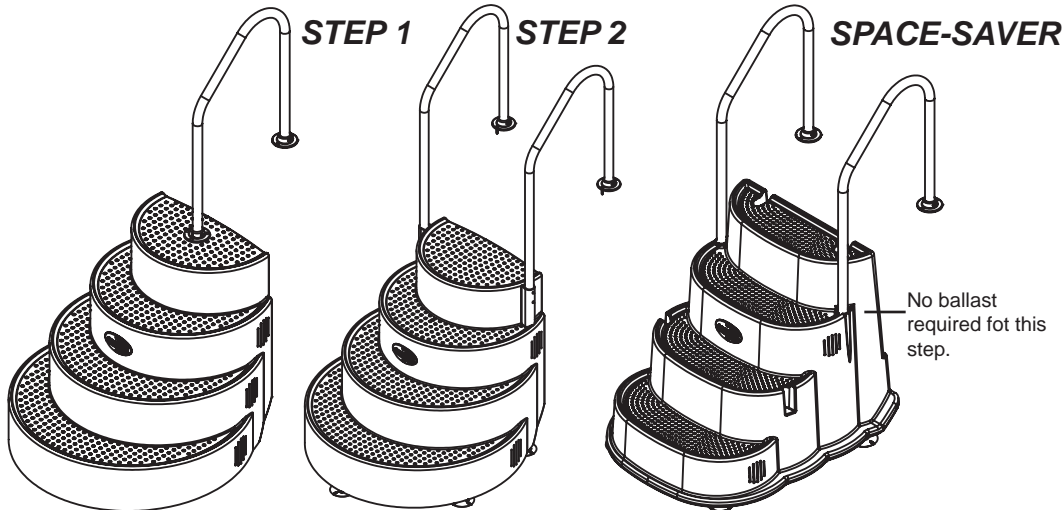
1) Insert half of the Step Cup™ mushroom in the hole, at a 45 degree angle.



2) With a flat screwdriver, compress the Step Cup™ mushroom ring while pushing it into the hole.

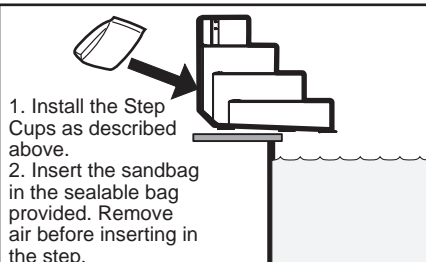


3) Twist the Step Cup™ to ensure that its mushroom has entirely cleared the wall thickness. If it has, the suction cup should rotate freely.

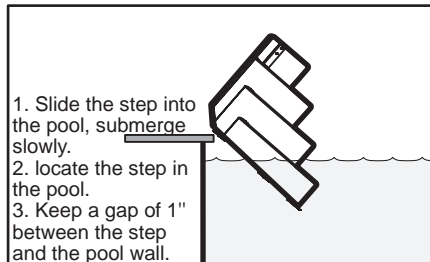


Fasten the handrails and flanges with the screws provided

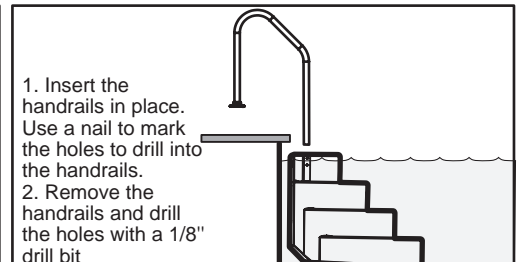
### STEP INSTALLATION



1. Install the Step Cups as described above.
2. Insert the sandbag in the sealable bag provided. Remove air before inserting in the step.



1. Slide the step into the pool, submerge slowly.
2. locate the step in the pool.
3. Keep a gap of 1" between the step and the pool wall.



1. Insert the handrails in place. Use a nail to mark the holes to drill into the handrails.
2. Remove the handrails and drill the holes with a 1/8" drill bit



### ACCESS

850 de l'Industrie, unit #100  
St-Jérôme  
QC, J7Y 4B8

WWW.INNOVAPLAS.COM



### MANUFACTURER WARRANTY

**1 year on the pool step.  
1 year on the hardware.**