

The Step Space Saver



ACCESS
ACCESS RESIN PRODUCTS

ME.200.13
Aluminum handrails



**New light
options**



ME.200.13



Steps, handrails & hardware
packed on same skid.

4 Step Cups



**The industry's
largest
2 handrails
drop in step**

**IMPROVED
FEATURES**

☀️ Comfortable ☀️ Aesthetic ☀️ Durable ☀️ Safe ☀️

Get in and out of your pool at your own pace. Relax while sitting and watch your children swim.

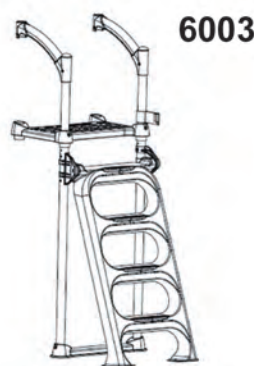
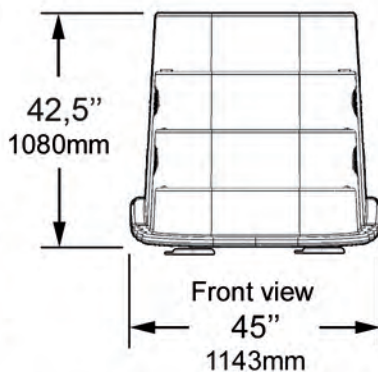
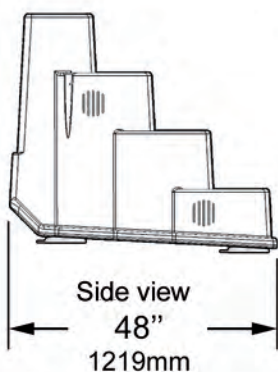
ME.000.13
Plastic handrails

Light cap for optional light program

Two grab rails provide maximum security to the youngest and the oldest of your family

Resistant to UV rays, impacts and pool maintenance chemicals

Adds refinement to the overall appearance of your pool and deck



- ☀️ Complies to ANSI/APSP
- ☀️ Maximum weight capacity of 500 lbs /225 kg
- ☀️ Model ME.200.13 include two aluminum handrails and is a step to deck only
- ☀️ Model ME.000.00 include 2 plastic handrails and deck brackets. Can be combined with the 6003 outside ladder to create a complete entry system.
- ☀️ 1 year warranty