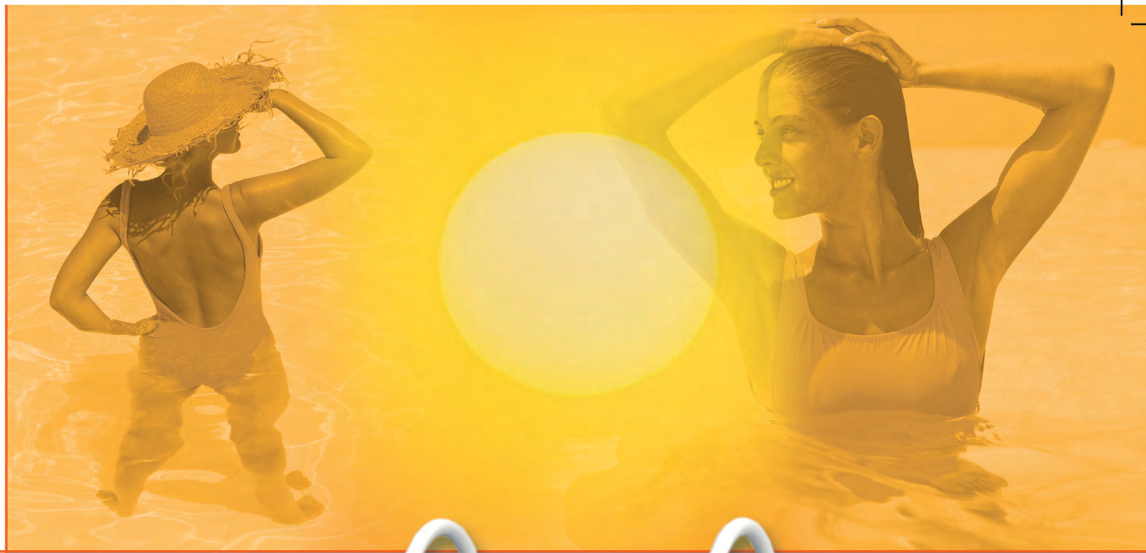


The Step II



MB.000.13



New light
option



5 Step Cups



Easy
installation in
above-ground
pools

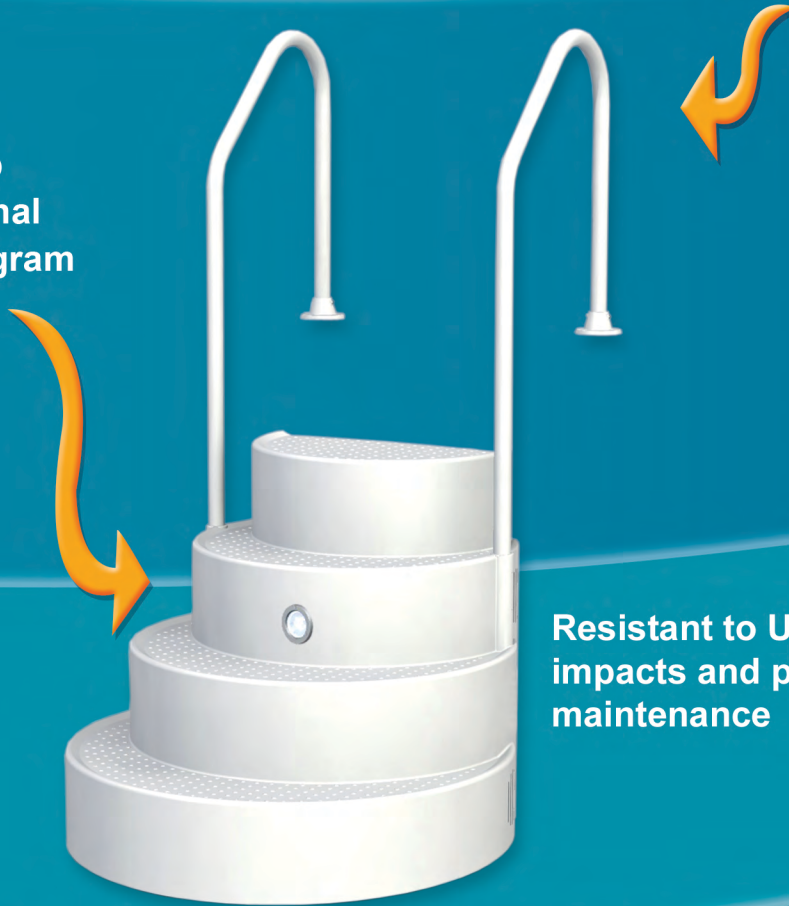
IMPROVED
FEATURES

☀️ Comfortable ☀️ Aesthetic ☀️ Durable ☀️ Safe ☀️

Get in and out of your pool at your own pace. Relax while sitting and watch your children swim.

Two grab rails provide maximum security to the youngest and the oldest of your family

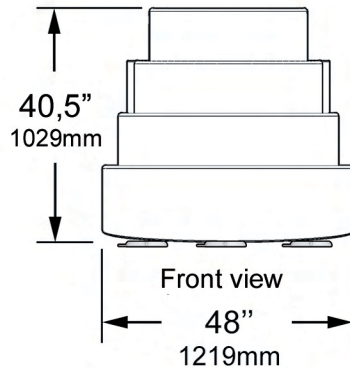
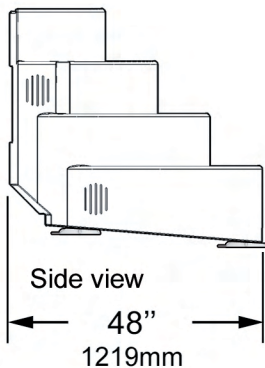
Light cap for optional light program



Resistant to UV rays, impacts and pool maintenance



Adds refinement to the overall appearance of your pool and deck



☀️ Maximum weight capacity of 500 lbs /225 kg

☀️ Model MB.000.13 include two aluminum rails

☀️ MB.000.13 is a step to deck only

www.product-access.com 1-888-668-9315