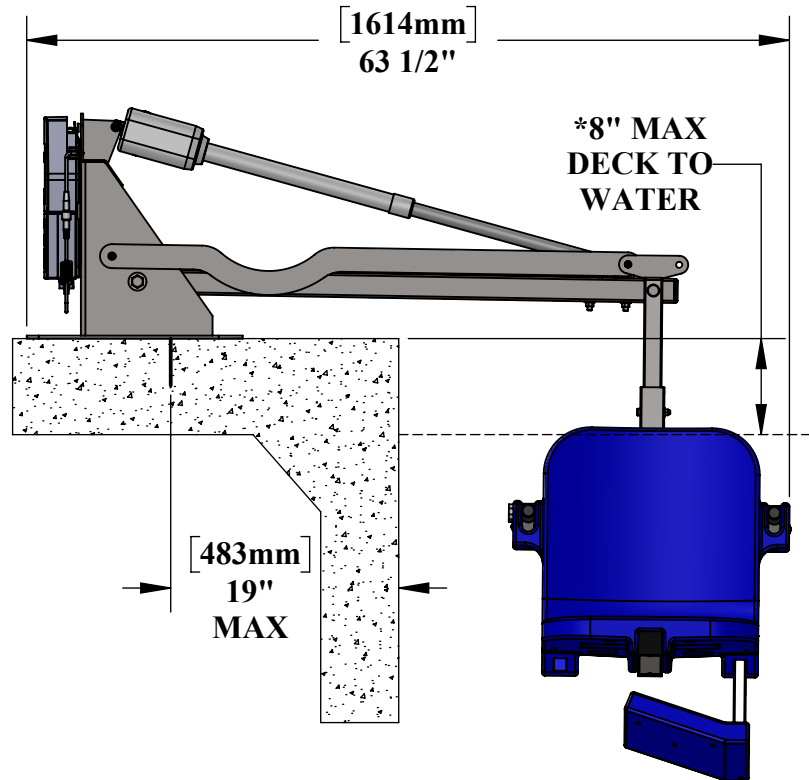
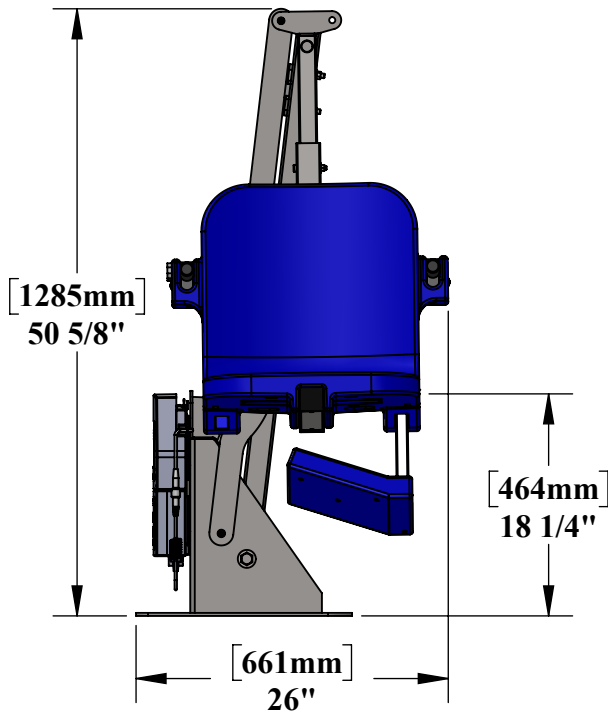


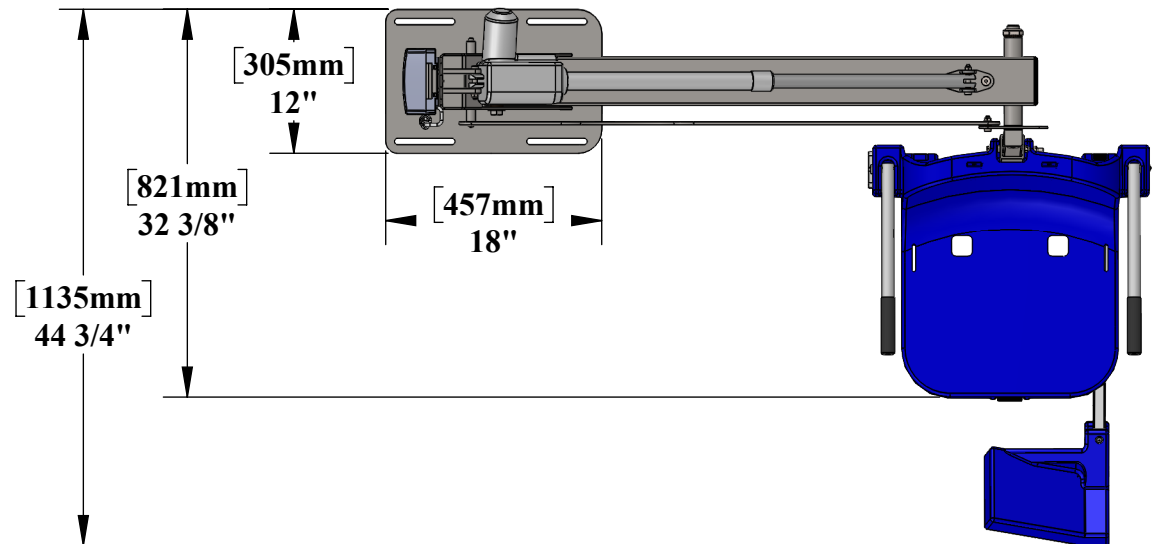
ADMIRAL POOL LIFT

PATENTS (7,249,386 B2) (D507,7695)

***MEASUREMENT TAKEN WITH THE LIFT AT FULL LOAD**



PRODUCT WEIGHT: 110lbs [49kg]
MAX WEIGHT CAPACITY: 450lbs [204kg]
MIN ANCHOR SETBACK: 14.5"
MAX ANCHOR SETBACK: 19"
MAX WATER DRAFT: 8"
SEAT ADJUSTMENT: SEAT CAN BE ADJUSTED 6" IN 2" INCREMENTS.



9889 GARRYMORE LANE
 MISSOULA, MT 59808
 (406) 549-0769
 FAX (406) 549-2602

NOTE:
 *SPECIFICATIONS ARE SUBJECT TO CHANGE WITHOUT NOTICE

PRODUCT:		ADMIRAL	
PART #:		F-ADMRL-02	
SCALE:	1:16	DATE:	5/20/2019
DRAWN BY:	KR	REVISION:	A